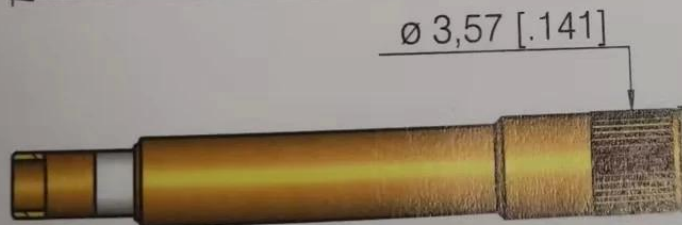
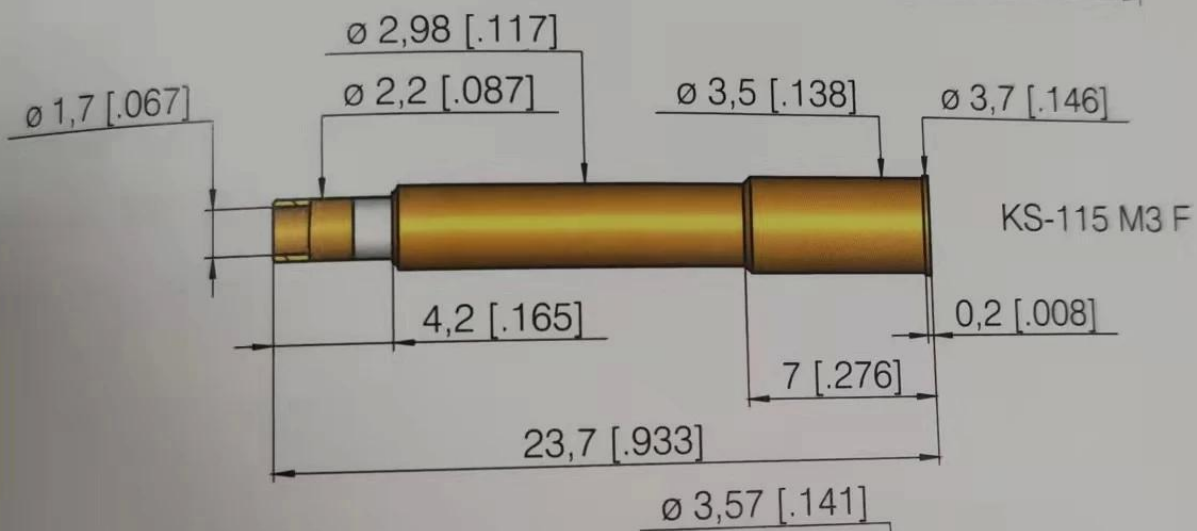
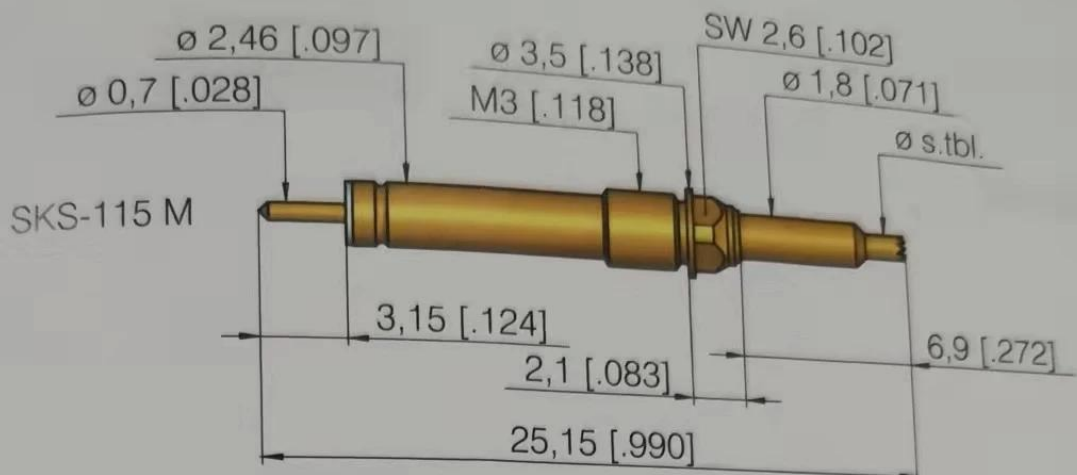


□□□□

□□□□	SF6028
□□□	□□3.5×□□25.15mm
□□	□□□□□□: Becu□◆◆□◆◆□□□□ □□□: □□□□□□□□ □□□□□: □□□□□□ □□□□ □□□□□□: □□□□□□□□□□
□□□□□□□□	1.7±0.2mm
□□□□□□□□	5.0mm
□□□□□□ □□	4.0mm
□□□□□□	3A
□□□□□	-40□80°C
MOQ	100□
□□□□	T/T
□□	□□□□□□□□□□□□ 5 □ 15 □

□□ □□□□□□





1. raw material warehouse



2. Lathe workshop



3. Assemble workshop



4. Quality inspection



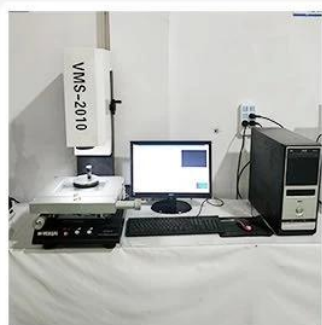
5. Finished products



6. Packing



Measuring Equipment >



Measuring Equipment:

- 1. Agilent current testing;
- 2. Quadratic element measurement
- 3. Load Curve Meter
- 4. Bond Test
- 5. Life Fatigue Test



