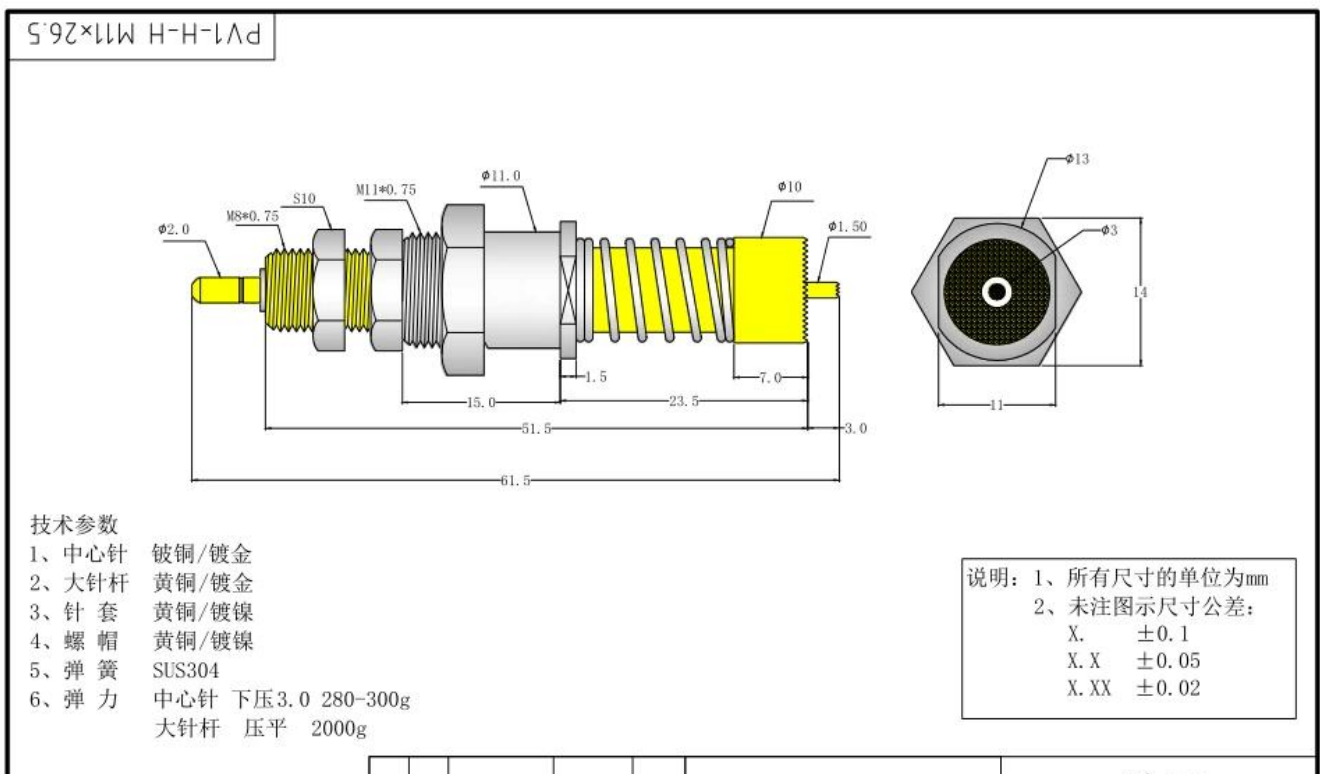


□□□□

□□□□	SF0175
□□□	6.0mm
□□	△□□□20°C
□□□	2200g
□□	50□□□□
□□	□10mΩ
MOQ	100□
□□□	T/T
□□	□□□□□□□□□□ 5 □ 10 □

□□ □□□□□







1. raw material warehouse



2. Lathe workshop



3. Assemble workshop



4. Quality inspection



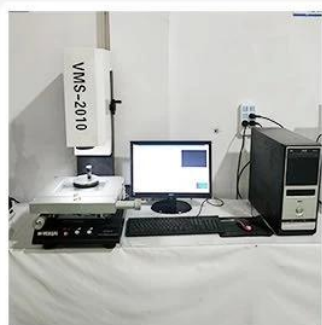
5. Finished products



6. Packing



Measuring Equipment >



Measuring Equipment:

1. Agilent current testing;
2. Quadratic element measurement
3. Load Curve Meter
4. Bond Test
5. Life Fatigue Test



