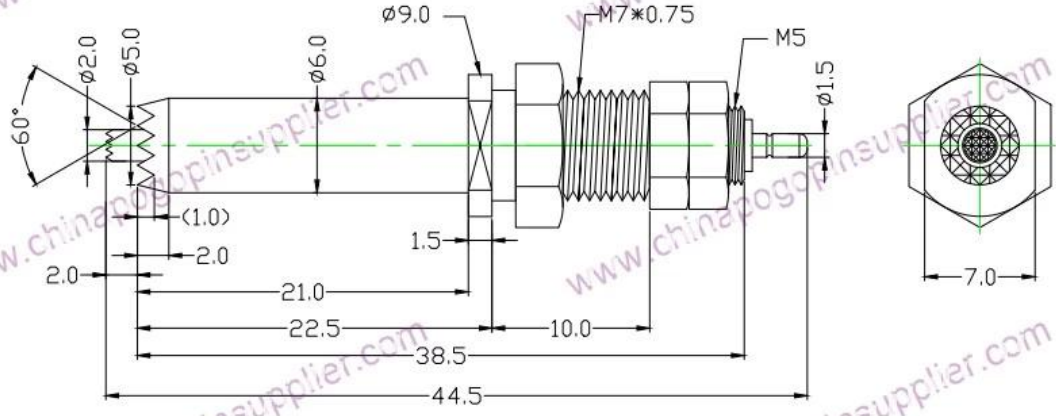


□□□□

□□□□	SFENG
□□□□	□□□□□□□□SF-PV1- H H M7 * 44.5MM
□□□□□□	□□□□□□□□
□□□□□□	□□□□□□□□7□□□

□□□□





□□□□□□

1. 24h inquiry
2. Customized design OEM
- 3.
- 4.

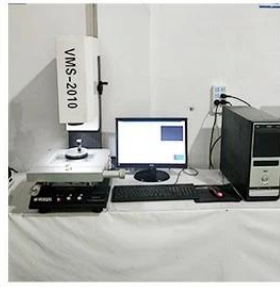
□□□□

PCB ICT FCT ;
 2 Pogo
 BGA
 QZ VZ LM
 ;
 & / ;
 30 OK POM

□□□□



1. Agilent current testing



2. Quadratic element



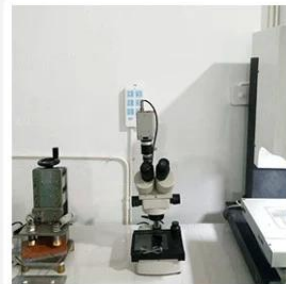
3. Load Curve Meter



4. Bond Test



5. Life Fatigue Test



6. Microscope



Standard products will be delivered out within 3 days. Customized products will be sent out within 15 days.

