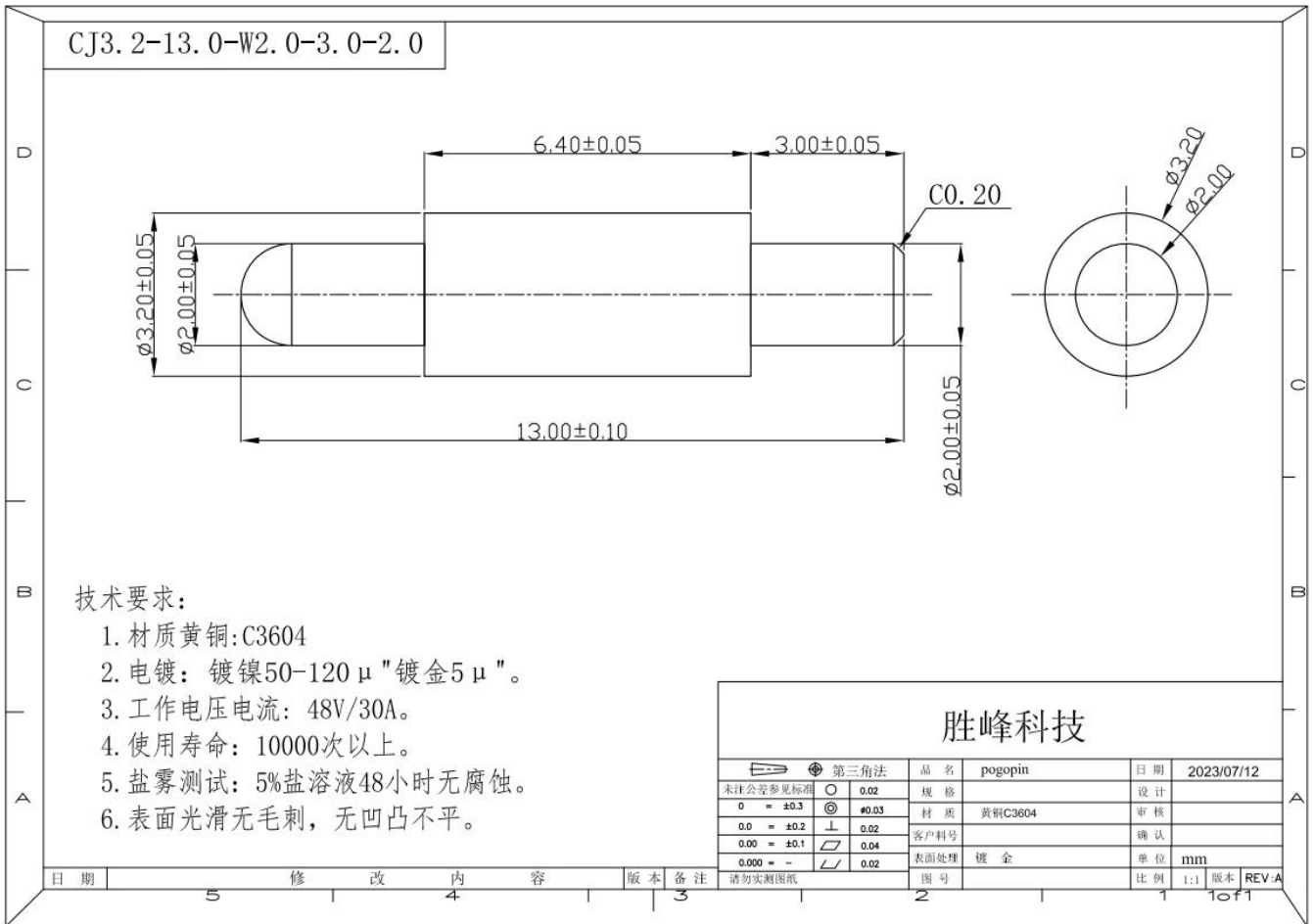




SFENG 1984 ()



	SF-
MOQ	100
	7



1. 24
2. OEM
- 3.

4. 工務部



1. PCB ICT FCT 測試
2. 工廠 2 層 樓 (樓)
3. BGA 測試
4. QZ VZ LM;
- 5.
6. /;
7. 30# OK POM

工廠 30# OK POM



1. Raw material warehouse 2. Lathe workshop 3. Assemble workshop



4. Quality inspection 5. Finished products 6. Packing



