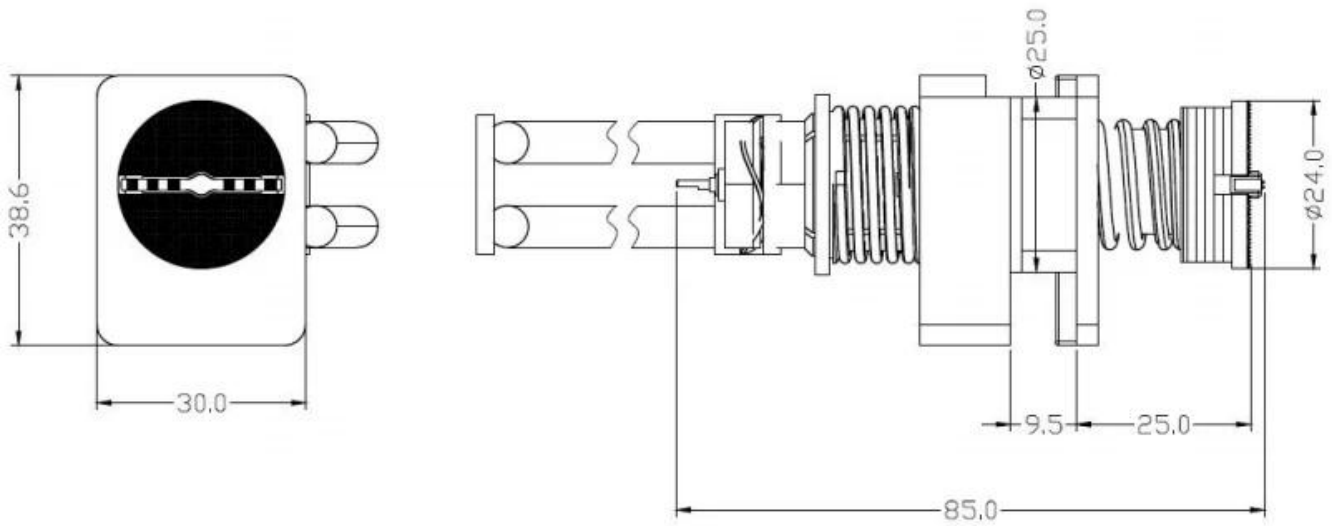


**200A**

20 0A	20 0A
SF-24.0×85.0	SF-24.0×85.0
200A	200A
10.0kg @ 5.0mm	10.0kg @ 5.0mm



1. 24
2. OEM
- 3.
- 4.

PCB ICT FCT ( )

2

BGA

QZ VZ LM

