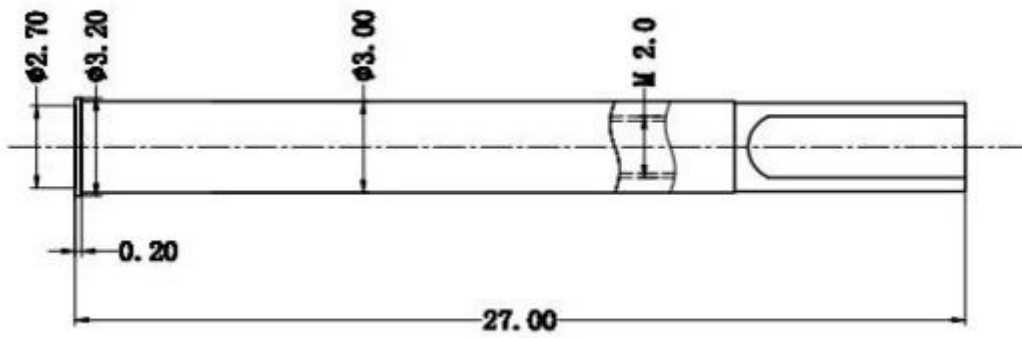


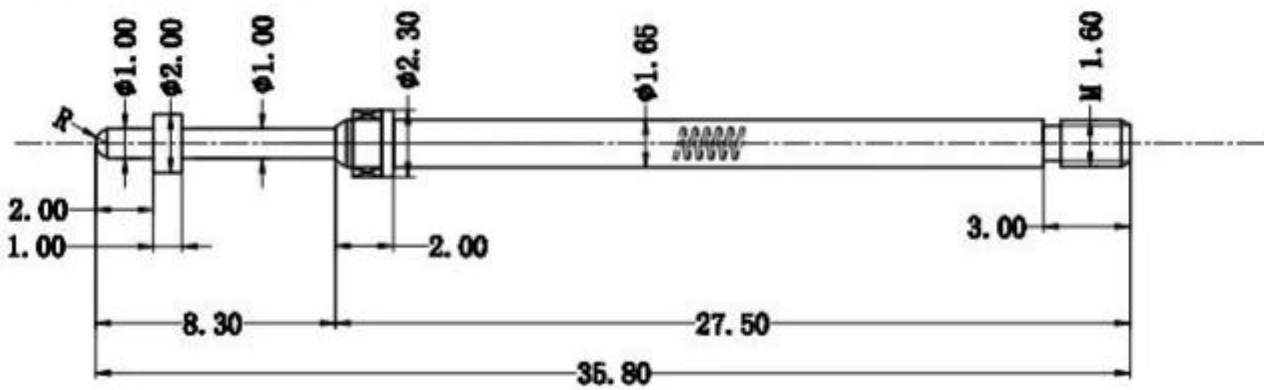
L113-H3.0

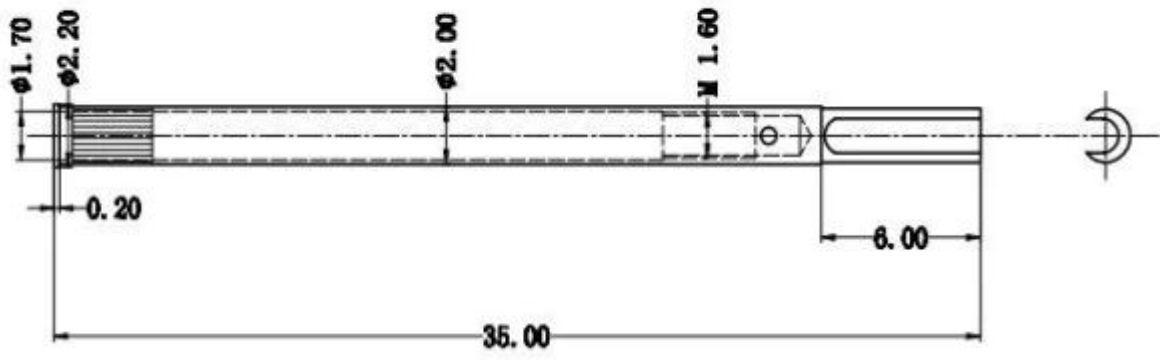


L113-套管



L112-JT1.0*2.0





1. 24
2. OEM
- 3.
- 4.



1. PCB ICT FCT
2. 2
3. BGA
4. QZ VZ LM
- 5.
- 6.
7. 30# OK POM





1. Raw material warehouse



2. Lathe workshop



3. Assemble workshop



4. Quality inspection



5. Finished products



6. Packing



1. Agilent current testing



2. Quadratic element



3. Load Curve Meter



4. Bond Test



5. Life Fatigue Test



6. Microscope





Q1.

A1:

Q2.

A2: QC 1

Q3.

A3:

Q4.

A4:

Q5.

A5:

Q6.

A6:

Q7.OEMODM

A7: OEM/ODM

Q8.

A8: T/TL/C MOQ L/C