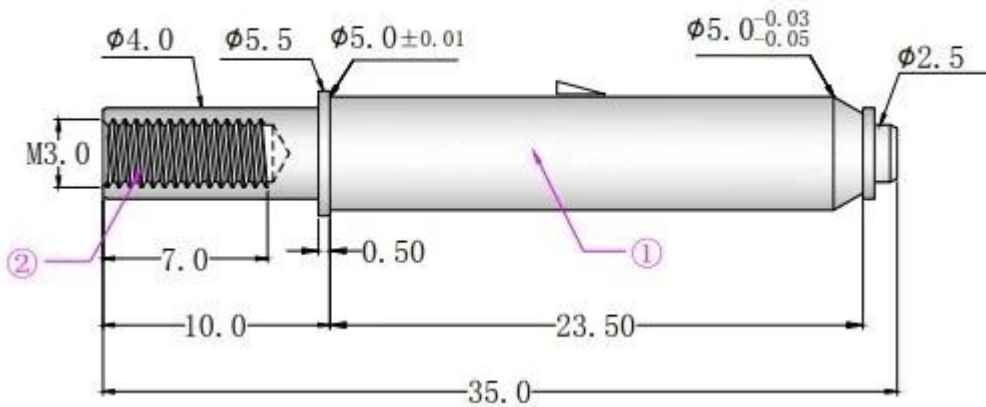


□□□□

□□□□	SF0305
□□□	□□5.5×□□35.0mm
□□	□□□□□□:□□ □□□:□□ □□□□□: SUS304
□□□□□□□	9.5mm
□□□	1000gf@ 1oad 9.5mm
MOQ	300□
□□□	T/T
□□	□□□□□□□□□□ 5 □ 15 □

□□ □□□□□



□□ □□



1. raw material warehouse



2. Lathe workshop



3. Assemble workshop



4. Quality inspection



5. Finished products



6. Packing



## Measuring Equipment >



### Measuring Equipment:

1. Agilent current testing;
2. Quadratic element measurement
3. Load Curve Meter
4. Bond Test
5. Life Fatigue Test



