

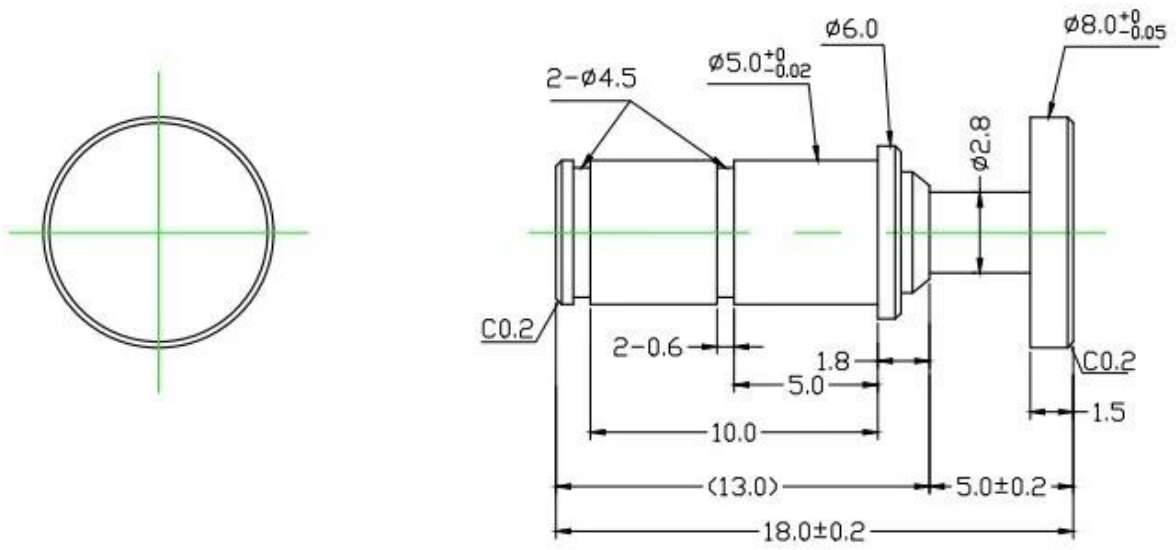
□□□□

□□ □□ □ □□□ □□□□ □ □□ □□□□□ □□ □□□ □□ □□ □□ □ □□ □□□ □□ □□□ □ □□ □□□□ □ □□ □□□□ □ □□□□□ □ □□□□□□

□□□□

□□□□	SF5895
□□□□□□□	3.5mm
□□□□□□□	3.0mm
□□□	100±20gf@ □□ 3.0mm
MOQ	200□
□□□□□	□□□□□□□□□□□□
□□□	T/T
□□	□□□□□□□□□□□ 5 □ 10 □

□□ □□□□□



□□ □□



1. raw material warehouse



2. Lathe workshop



3. Assemble workshop



4. Quality inspection



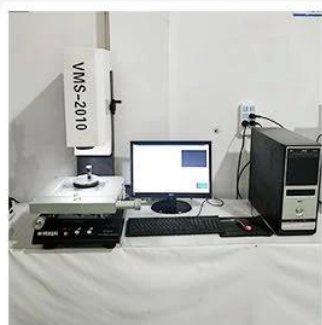
5. Finished products



6. Packing



## Measuring Equipment >



### Measuring Equipment:

1. Agilent current testing;
2. Quadratic element measurement
3. Load Curve Meter
4. Bond Test
5. Life Fatigue Test



