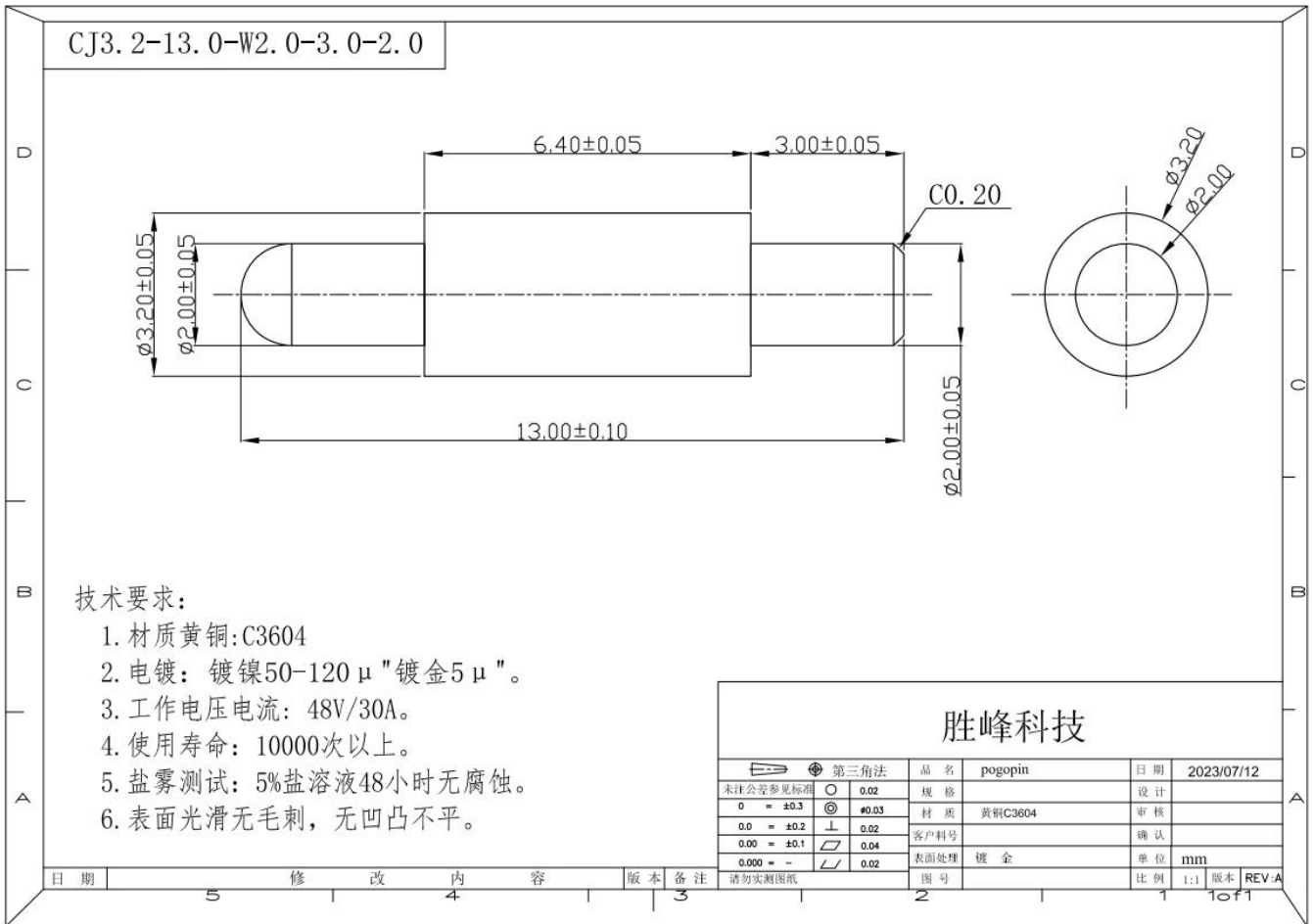




SFENG 1984 ()



MOQ	SF-100
	100
	7000



1. 24
2. OEM
- 3.

4. 廠房裝修工程



1. PCB ICT FCT 設備搬遷及安裝;
2. 廠房裝修工程及安裝 2 層樓梯及電梯 (樓梯) ;
3. BGA 設備搬遷及安裝;
4. 廠房裝修工程及安裝 QZ VZ 設備 LM ;
5. 廠房裝修工程及安裝;
6. 廠房裝修工程/安裝;
7. 廠房裝修工程 30# OK 設備搬遷及安裝 POM 設備搬遷

廠房裝修工程及安裝



1. Raw material warehouse



2. Lathe workshop



3. Assemble workshop



4. Quality inspection



5. Finished products



6. Packing





Q1. 〇〇〇〇〇〇〇〇

A1: 〇〇〇〇〇〇〇〇〇〇〇〇〇〇〇〇〇〇〇〇〇〇〇〇〇〇〇〇〇〇〇

Q2. 〇〇〇〇〇〇〇〇〇〇〇

A2: 〇〇〇〇〇〇 QC 〇〇〇〇〇〇〇〇〇〇〇〇〇〇〇〇〇〇〇〇〇〇〇〇 〇〇〇〇〇〇〇〇〇〇〇〇〇〇〇〇 1 〇〇〇〇〇〇〇〇〇

Q3. 〇〇〇〇〇〇〇〇〇〇

A3: 〇〇〇〇〇〇〇〇〇〇〇〇〇〇〇〇〇〇〇〇〇〇〇〇〇〇〇〇〇〇

Q4. 〇〇〇〇〇〇

A4: 〇〇〇

Q5. 〇〇〇〇〇〇〇〇〇〇〇〇〇

A5:

Q6.

A6:

Q7.OEM **ODM**

A7: OEM/ODM

Q8.

A8: T/T L/C MOQ L/C