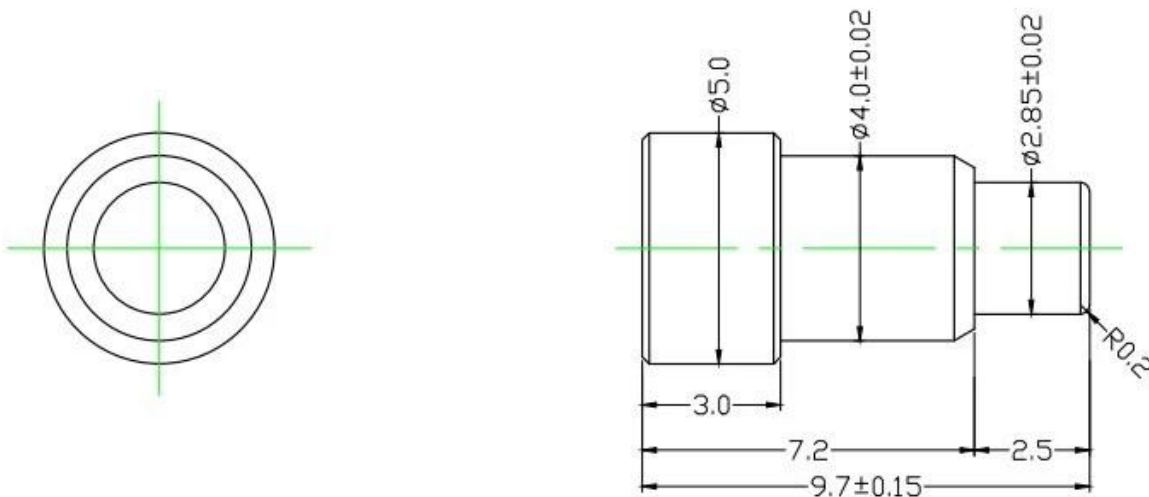


□□□□

□□□□	SF7023
□□□□□□□	2.0mm
□□□□□□□	1.5mm
□□□	40-55gf@load 6.5mm
□□□□□□□□□□	OEM □ ODM
MOQ	100□
□□□□□	□□□□□□□□□□□□
□□□	100% T/T□□□
□□	□□□□□□□□□□ 5 □ 10 □

□□ □□□□□



□□ □□



1. raw material warehouse



2. Lathe workshop



3. Assemble workshop



4. Quality inspection



5. Finished products



6. Packing



Measuring Equipment >



Measuring Equipment:

1. Agilent current testing;
2. Quadratic element measurement
3. Load Curve Meter
4. Bond Test
5. Life Fatigue Test



