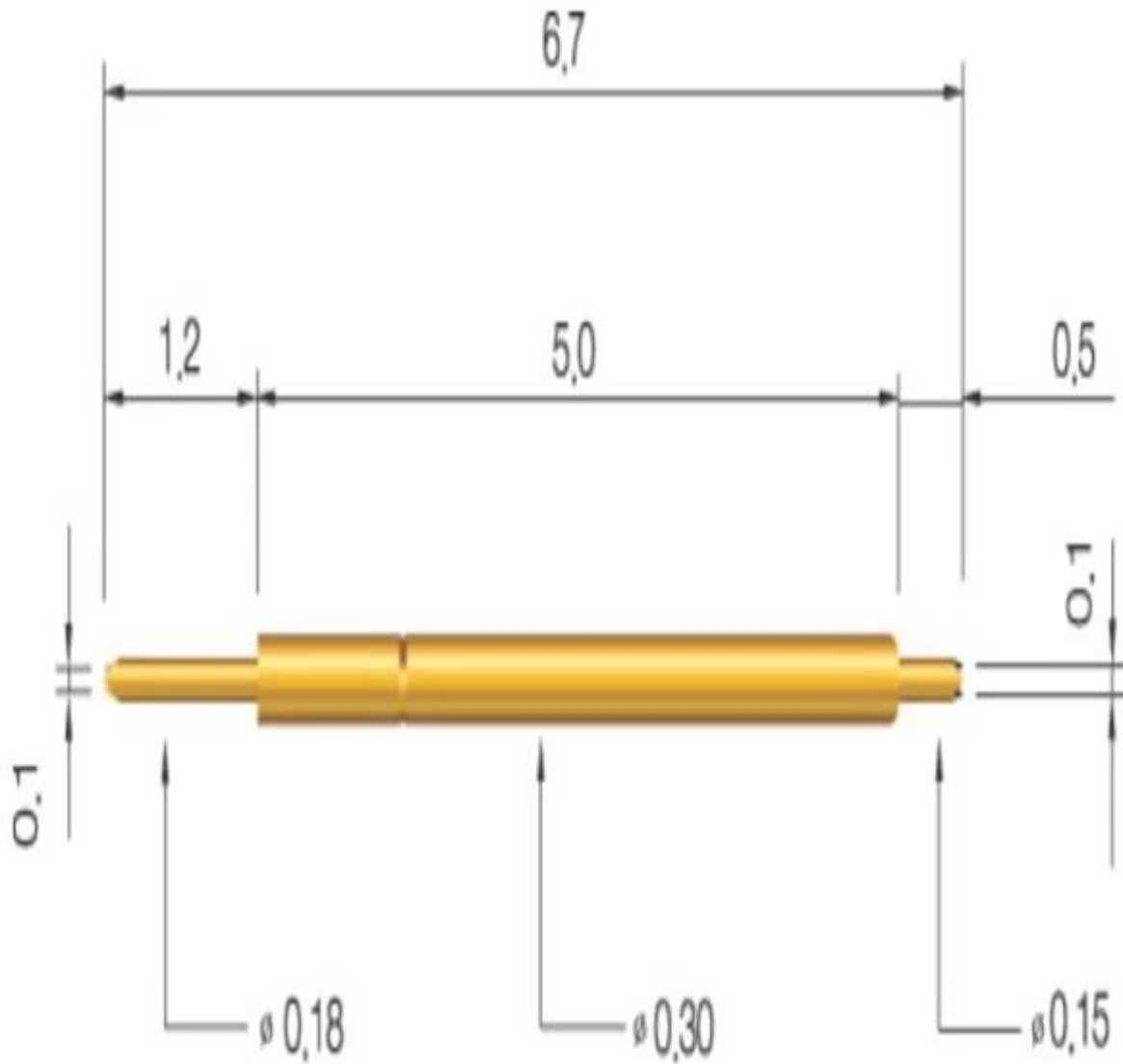


0000

0000	SFENG
0000	0000000000 ϕ 0.3* 6.7
000000	SK4000000000
000	000
0	SK400000
000000	20000
00000	1A
00000	50mohm00
000000	2.75000000
MOQ	100 0
000000	7 000000000000

00000



□□□□□□

- 1. Reply 24□□□□with□□□□□□□□
- 2. Customized □□□□□□OEM□□□□□□□□
- 3. Delivery □□□□□□□□□□□□□□□□□□□□
- 4. provide □□□□□□□□□□□□□□□□

□□□□

- PCB□ICT□FCT□□□□□□□□□□□□□□
- usuallytemporary□□□□□□□□□□□□□□□□□□
- &□□□□□□□□□□□□□□□□□□□□□□□□
- interconnectApplications;
- probef orBGA&□038; semiconudtion□□□□
-
- coatingpin□LM□□□□with□QZ&□038; VZseries□
-
-
- &□038;□□□□□□□□□□□□□□□□
-
- compent□30□OKwire□□□□□□□□□□□□□□□□□□□□□□□□□□□□□□□□□□
- POM□Ironhinge□□

□□□□

Spring exhausted tester	DC power supply	Current resistance tester
		
Microscope	Tensile strength tester	Spring tester
		

□□□□□□

