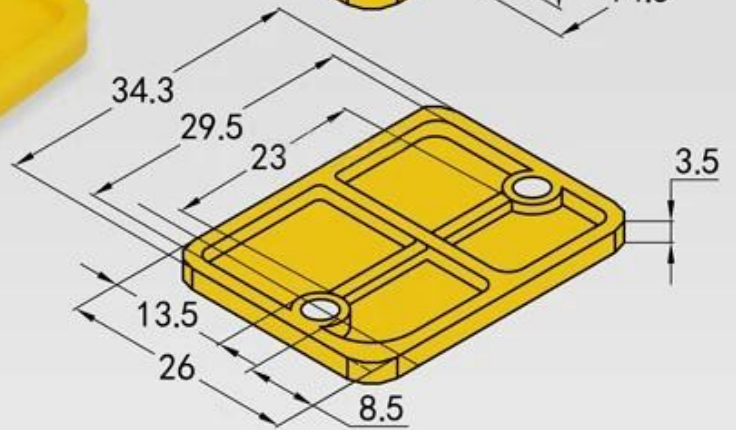
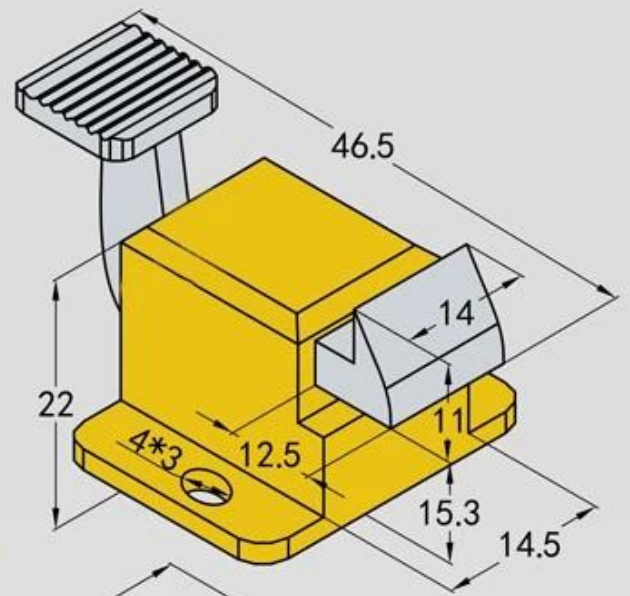




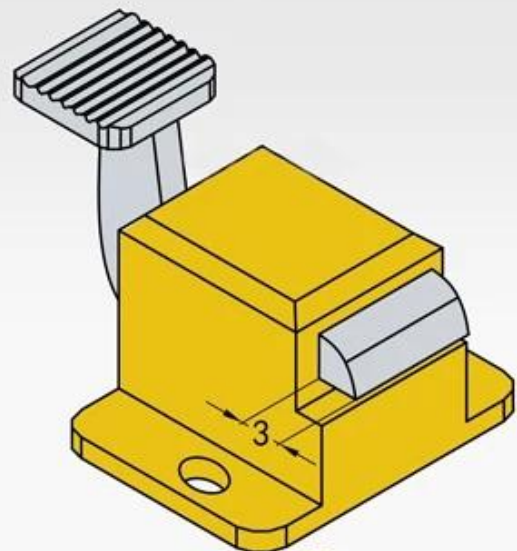
实物拍摄

## 治具卡扣

### ▶治具卡扣L (长嘴)



### ▶治具卡扣S (短嘴)





1. 24
2. OEM
- 3.
- 4.



1. PCB ICT FCT
2. 2
3. BGA
4. QZ VZ LM
- 5.
- 6.
7. 30# OK POM





1. Raw material warehouse



2. Lathe workshop



3. Assemble workshop



4. Quality inspection



5. Finished products



6. Packing



1. Agilent current testing



2. Quadratic element



3. Load Curve Meter



4. Bond Test



5. Life Fatigue Test



6. Microscope







