

SF-265-F300

Technical Drawing

This drawing shows the technical specifications and dimensions for the SF-265-F300 component. The drawing includes a side view and a detail view of the component, which is a cylindrical part with various diameters and lengths. The material is specified as SWP.

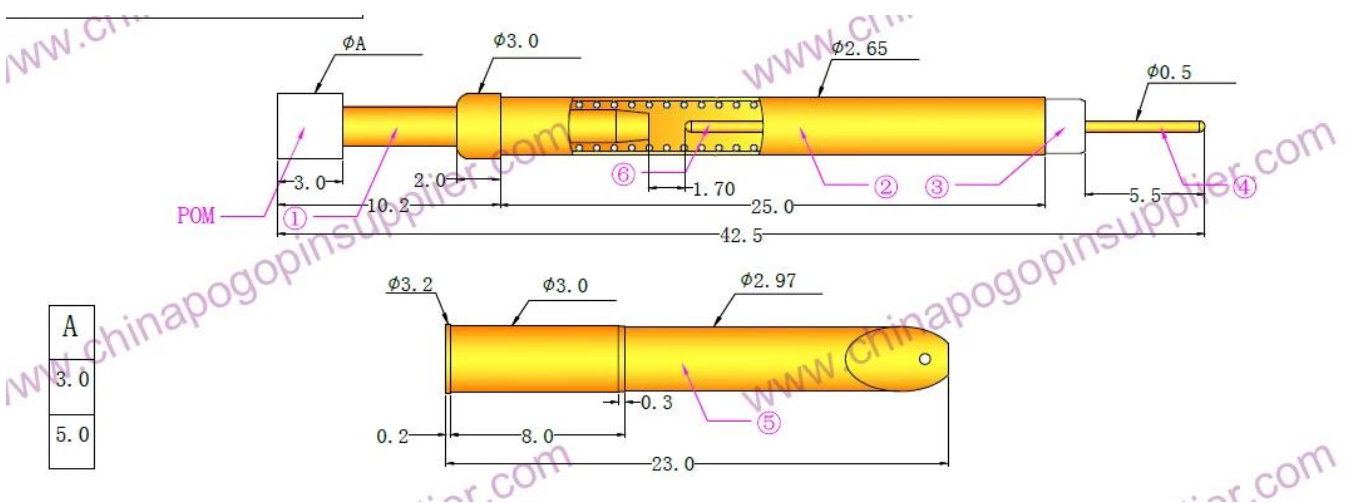
The component is made of SWP material. The drawing shows the technical specifications and dimensions for the SF-265-F300 component.

Material: SWP

Part Number	SF265-F300
Description	
Material	
Quantity	
Unit	
Notes	
Material	SWP
Other	

The drawing shows the technical specifications and dimensions for the SF-265-F300 component. The drawing includes a side view and a detail view of the component, which is a cylindrical part with various diameters and lengths. The material is specified as SWP.

*Notes



***SFENGBingOTHERbulbPRODUCTS**

- a. PCB ICT FACT
- b. 2
- c. BGA
- d. QZ VZ LM
- e.
- f. Terminal & /
- h. 30# OK POM

***FACTORYbingSHOW**

