

□□□□

□□□□	SFENG
Item □	SF □□□□
□□□	□□□□ □□□
□□□ □□□	□□□□□□□□ 7 □□□

□□□□□□

The image features the SFENG logo with the tagline "The China's The World's". To the right are three certification logos: RoHS (Restriction of Hazardous Substances), ISO 9001 (Quality Management System) with SGS (Société Générale de Surveillance) accreditation, and CE (Conformité Européenne). Below these is a technical drawing of a yellow probe tip. The drawing shows a cylindrical probe with a rounded tip and a central groove. Dimension lines indicate a total length of 15.4, a distance of 5.5 from the tip to the start of the groove, and a distance of 9.9 from the tip to the end of the groove. Diameter specifications are given as $\phi 2.0$ for the tip, $\phi 4.0$ for the main body, and $\phi 2.5$ for the groove section.

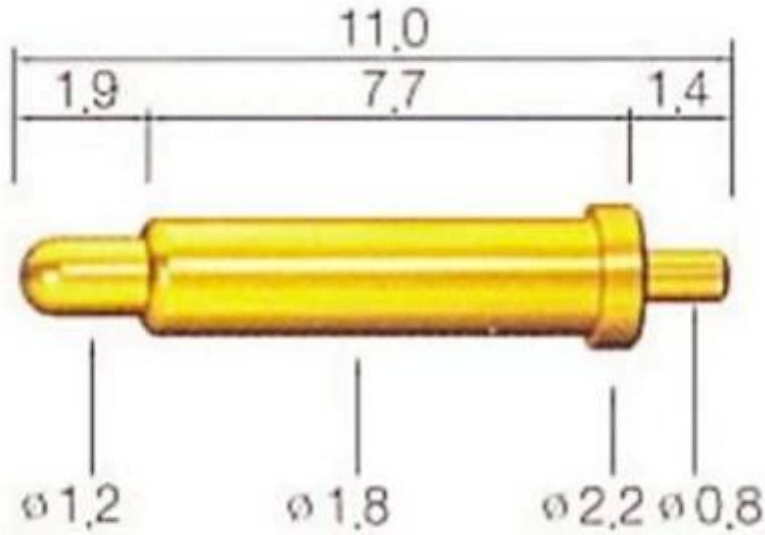
SFENG
The China's The World's

RoHS ISO 9001 SGS CE

15.4
5.5 9.9

$\phi 2.0$ $\phi 4.0$ $\phi 2.5$

WWW.SF-PROBE.COM



WWW.SF-PROBE.COM

□□□□□□

1. □□ □□□□□□□□□□ 24 □□□□□□□□□□
2. □□□□ □□□□□□□□ OEM □□□□
3. □□ □□□□□□□□□□ □□□□□□□□□□□□□□□□□□
4. □□ □□□□□□□□□□ □□□□□□□□□□□□□□□□

目的

試験機 (器機) の用途を ICT/FCT で説明

試験機 (器機) の用途を説明2 試験機 (器機) の用途を説明 & 試験機 (器機) の用途を説明

BGA 試験機 (器機) の用途を説明






試験機 (器機) の用途を説明 LM QZ の VZ の用途;

試験機 (器機) の用途を説明;

試験機 (器機) & 試験機 (器機) の用途を説明;

試験機 (器機) の用途を説明 # 30 [ok] の用途を説明 POM の用途を説明

試験機

Spring exhausted tester	DC power supply	Current resistance tester
		
Microscope	Tensile strength tester	Spring tester
		

□□□□

