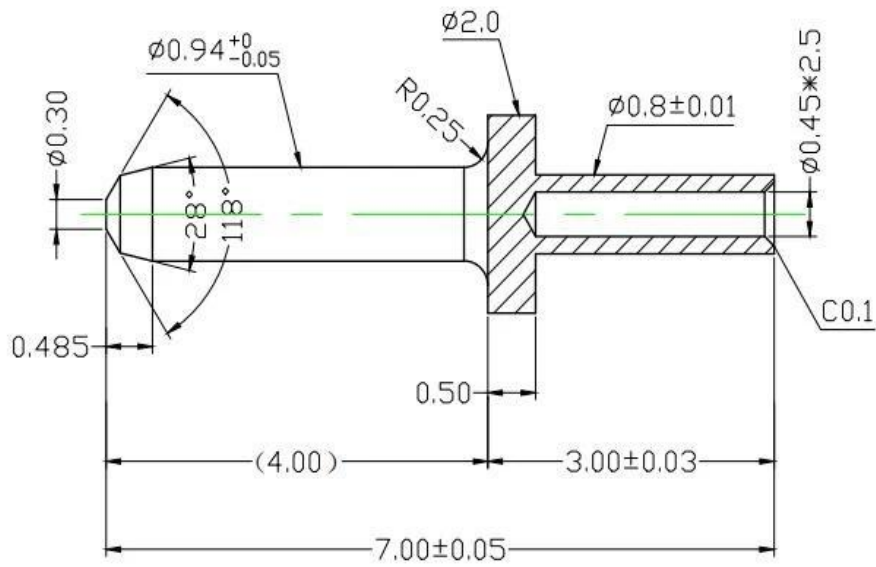


- 金針SF-2.0x7.0





□□□□

SuzhouShengyiifluid Electronic Technology Co., Ltd. 1984
 30 15 ISO 9000 1

2010 PCB ICT SMT IC





1. raw material warehouse



2. Lathe workshop



3. Assemble workshop



4. Quality inspection



5. Finished products



6. Packing

□□□□

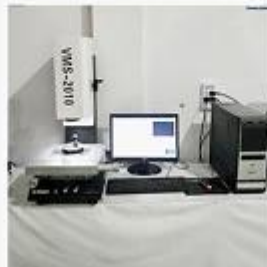
1. PCB ICT FCT □□□□

2. pogo □□□□

3. □□□□□□□□

4. □□□□□□□□

Measuring Equipment >



Measuring Equipment:

1. Agilent current testing;
2. Quadratic element measurement
3. Load Curve Meter
4. Bond Test
5. Life Fatigue Test