

15A SF-420 BY 4850

|     |              |
|-----|--------------|
|     | SFENG        |
|     | SF850-4850   |
|     |              |
|     |              |
|     |              |
|     | 730g @ 7.7mm |
|     | 50A          |
|     |              |
|     |              |
|     |              |
| MOQ | 100          |
|     | 7            |

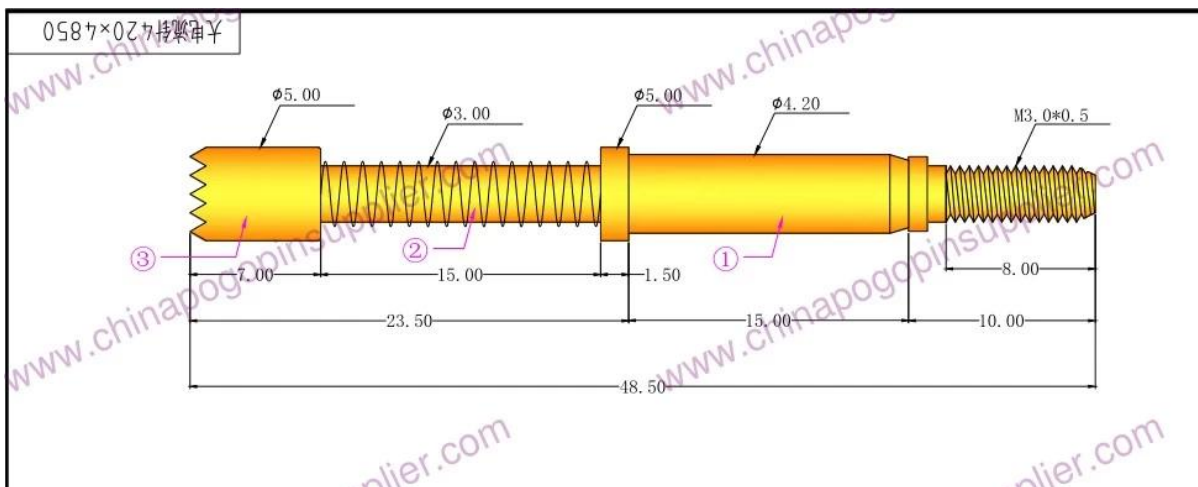
# SFENG

The China's The World's





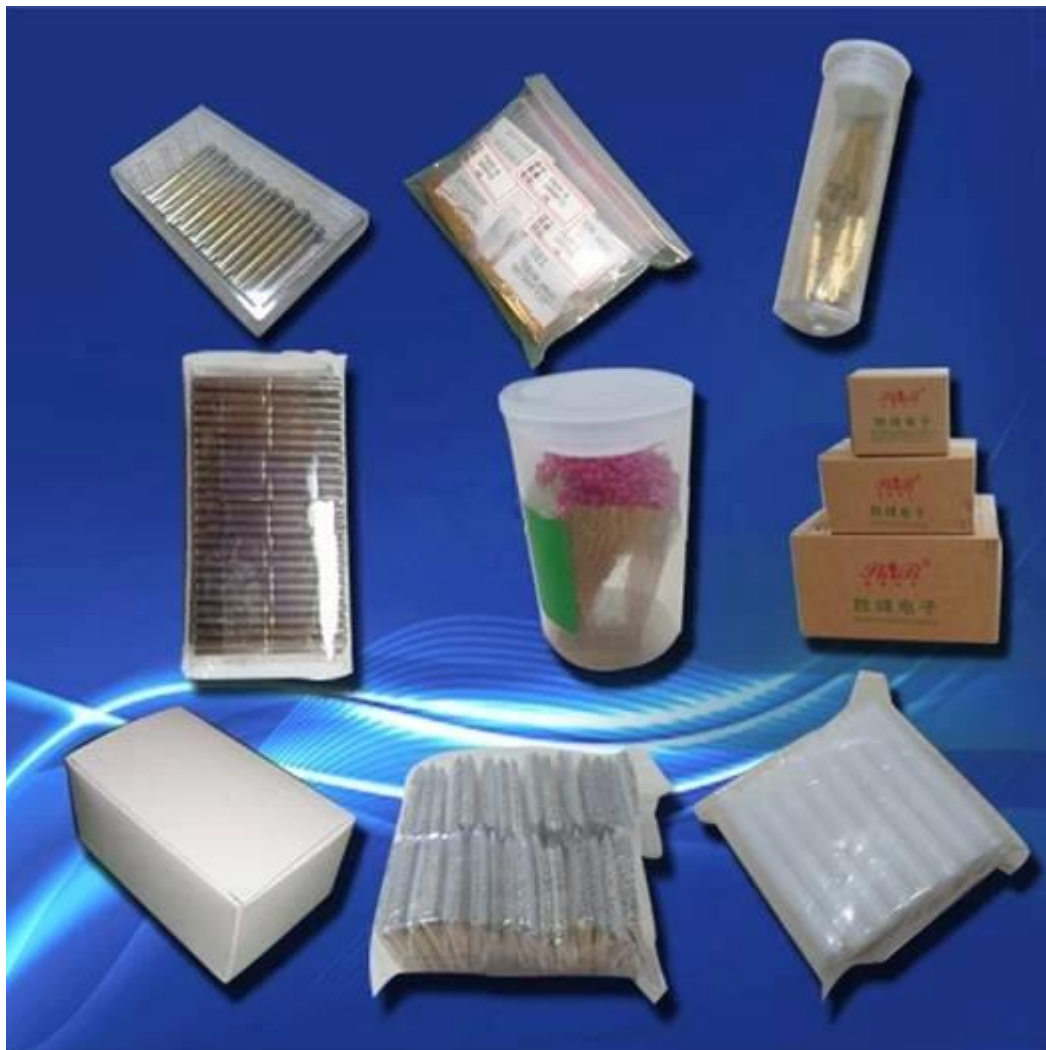
□□□ □□



□□□ □□□

1. □□□ 24 □□ □□ □□ □□ □□.
2. □□□ □□□ □□□□ □□□□ □□□□ OEM □□□□□□.





□□:

