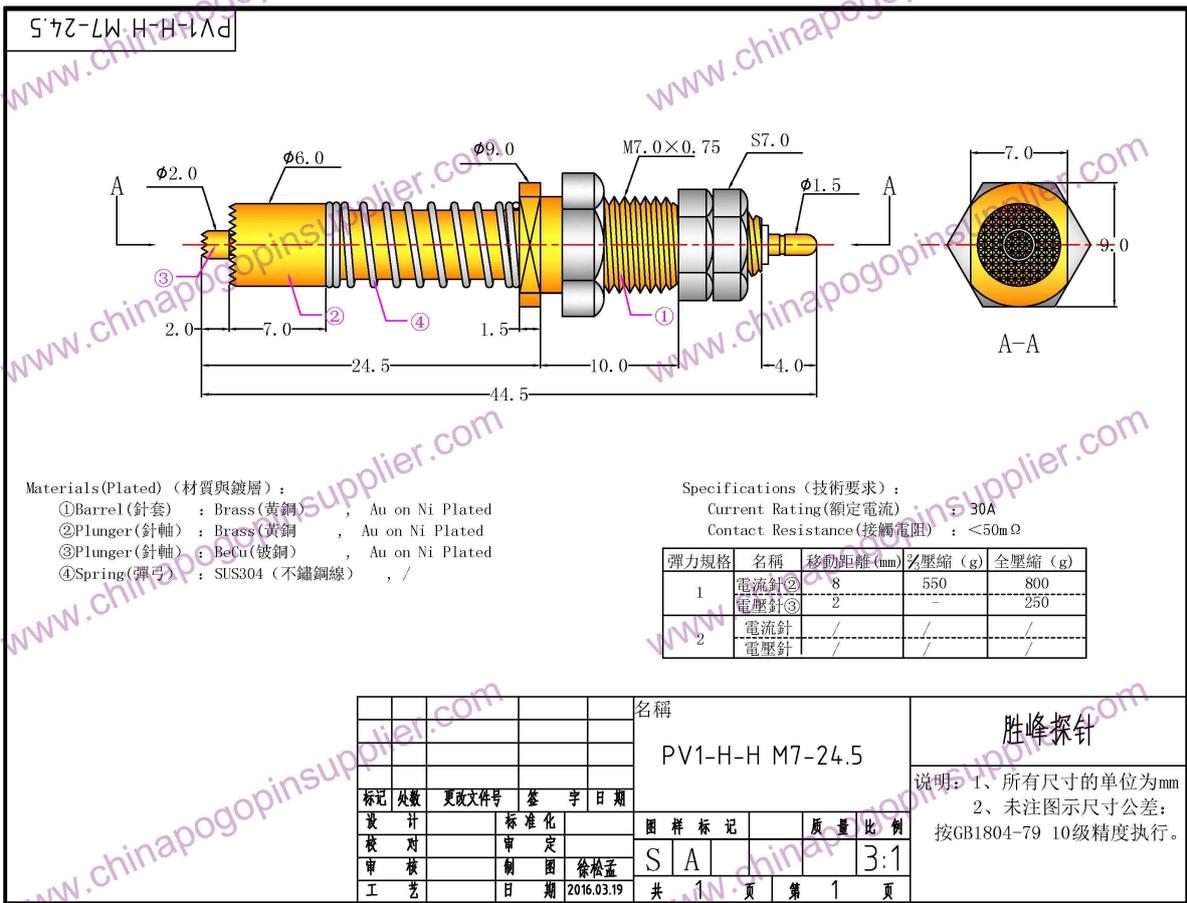


□□□

□□	SFENG
□□	30A □□ □□ SF-PV 1-H-H-M 7.0
□□□	□□□ □□
□	□□
□	SUS304
□□□ □	□□□
□□ □□	□□□
□□ □□	□□
□□ □□	□□
□□	□□
□□ □□	□□
MOQ	100
□□ □□	□□ □□ □ 15 □

□□ □□□





□□ □□

- □□.
- □□ □□□□□.
- □□ □□ □ □□ □□.
- □□ □□.

□□ □□

PCB, ICT, FCT □□□□ □□□□□ □ (□□);

□□, □□□□, □□□, □□□ □ □□□□□□ 2 □□ □□ □□ □□ □□ □□□□□ □□□ □ (□□□); □□ □□ □□□□□□;

BGA □ □□□ □□ □□ □□ □□□;

□□ □ □□□ □□, □□□ □□, LM □ QZ □ VZ □□□;

□□□ □□□, □□□ □□□, □□□□ □□;

□□□ □□□; □□ / □□;

□□ □□ □□ □□, 30 # OK □□, □□ □□, POM, □ □□ □

□□ □□



1. Raw material warehouse



2. Lathe workshop



3. Assemble workshop



4. Quality inspection



5. Finished products

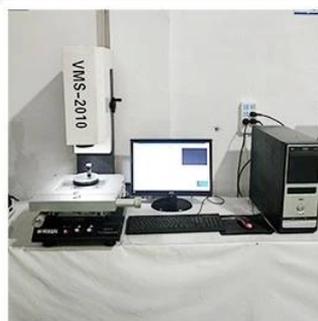


6. Packing

□ □ □ □



1. Agilent current testing



2. Quadratic element



3. Load Curve Meter



4. Bond Test



5. Life Fatigue Test



6. Microscope

□ □ □ □

Standard products will be delivered out within 3 days. Customized products will be sent out within 15 days.

