

□□ □□

□□□ □□ □□ □□ □□ □□□□ □□ □□ □□□ □□ □□ □□ □□ □□ □□ □□ □□ □□□□. □.

□□ □□

□□ □□	SF-30A □□ □ 9.0*56.0
□□□□□	≥9.0mm
□□□ □	2500g±15%gf@ load 5.0mm 600g±15%gf@ □□ 2.0mm
MOQ	200PCS
□□□	Plastic bag, carton box
□□ □□	100% T/T □□ □
□□ □□	□□□□ □□ □ 5~10□

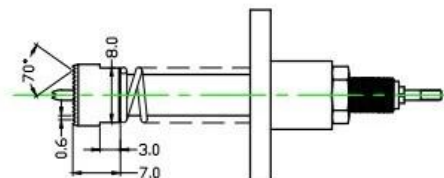
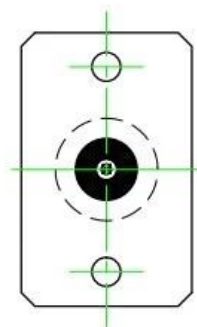
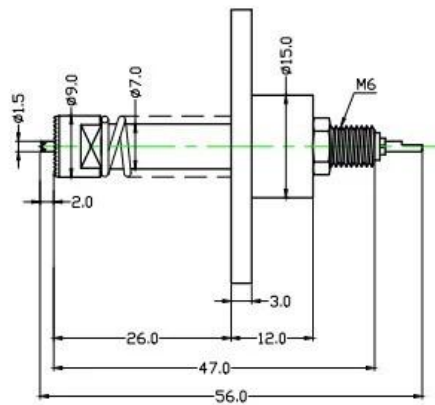
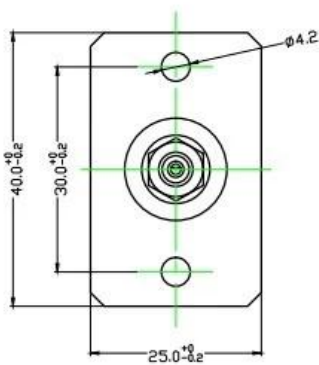
□□ □□

# SFENG

The China's The World's



[WWW.SF-PROBE.COM](http://WWW.SF-PROBE.COM)





## Production Flow (生产流程)



1. raw material warehouse



2. Lathe workshop



3. Assemble workshop



4. Quality inspection



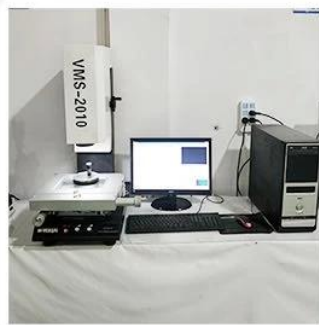
5. Finished products



6. Packing



## Measuring Equipment >



### Measuring Equipment:

1. Agilent current testing;
2. Quadratic element measurement
3. Load Curve Meter
4. Bond Test
5. Life Fatigue Test





□□ □□



# QMS CERTIFICATE OF REGISTRATION

Registration No.: 12815Q20988R0S

This is to certify that the Quality Management System of  
**Suzhou Shengteng Electronic Co., Ltd.**

Organization code :55025791-9

Registered address: Suzhou high tech Zone Binhe Road, No.588 SEG electronics market 3D01 room  
215400 P.R.China

Has been audited to conform to the following Quality Management  
System Standard:  
GB/T19001-2008

For the whole process of  
Sales of probe and related accessory

First S.A.	贴标处
------------	-----

Second S.A.	贴标处
-------------	-----

Third S.A.	贴标处
------------	-----

The term of validity of the certificate, the certificate shall be at least once a year surveillance audit, With qualified logo, for the effective certificate. The certificate information is available in the certification and Accreditation Administration of the People's Republic of China's official website: [www.cnca.gov.cn](http://www.cnca.gov.cn)

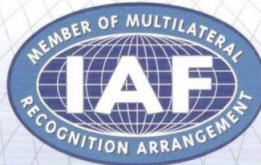
DATE OF ISSUE: 09-11-2015

DATE OF SUPERVISION : 09-11-2015

VALID UNTIL: 09-10-2018



Management System  
CNAS C128-Q



Room 703, Building 1, No. 22, B, Fuchengmenwai Street,  
Xicheng District, Beijing  
010-68396010



1. PCB, ICT, FCT □□ □□ □□ □□ □(□□);

