

□□□

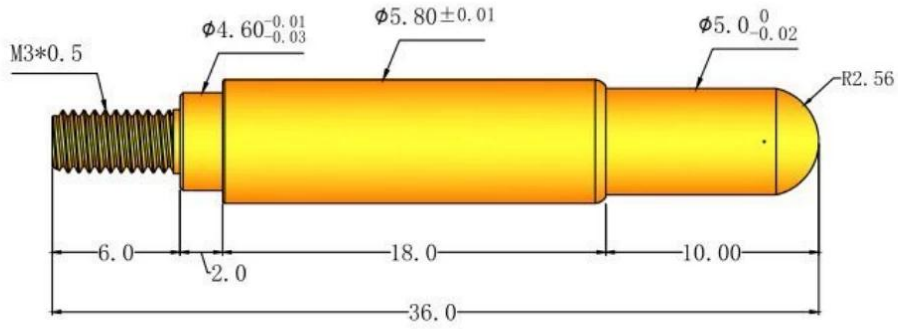
□□	SFENG
□□	□□□□□□ □□ □
□□□	□□
□□	□□
□	SUS303
□□□ □	□□□
□□ □□	□□□
□□□ □□	□□□
□□ □□	□□
□□	□□
□□ □□	□□
MOQ	100
□□ □□	□□ □□ □ 15 □

□□ □ □□□

SFENG
The China's The World's



□ □ □ □



Materials(Plated) (材質與鍍層) :

Barrel(針套) : Brass(黃銅) , Au on Ni Plated
 Plunger(針軸) : Brass(黃銅) , Au on Ni Plated
 Spring(彈弓) : SUS304(不鏽鋼) , /

Specifications (技術要求) :

Contact Resistance(接觸電阻) : 50mΩ
 Full Stroke(滿沖程) : 10mm
 Spring Force(額定彈力) : 400±10%gf@ load 10mm

□□ □□

1. □□ □□.
2. □□□ □□ □□□□□.
3. □□ □□ □□ □ □□ □□.
4. □□□□ □□ □□.

□□ □□

PCB, ICT, FCT □□□□ □□□□ □ (□□);

□□, □□□□, □□□, □□□ □ □□□□□□ 2 □□ □□ □□ □□ □□□ □□□□□ □□□ □ (□□□); □□ □□ □□□□□□;

BGA □ □□□ □□□ □□ □□ □□□;

□□ □ □□□ □□, □□□□ □□, LM □ QZ □ VZ □□□;

□□□ □□□, □□□ □□□, □□□□ □□;

□□□ □□□; □□ / □□;

□□ □□ □□ □□, 30 # OK □□, □□ □□, POM, □ □□ □

□□ □□



1. Raw material warehouse



2. Lathe workshop



3. Assemble workshop



4. Quality inspection



5. Finished products



6. Packing

□ □ □ □



1. Agilent current testing



2. Quadratic element



3. Load Curve Meter



4. Bond Test



5. Life Fatigue Test



6. Microscope

□ □ □ □ □ □

Standard products will be delivered out within 3 days. Customized products will be sent out within 15 days.

