

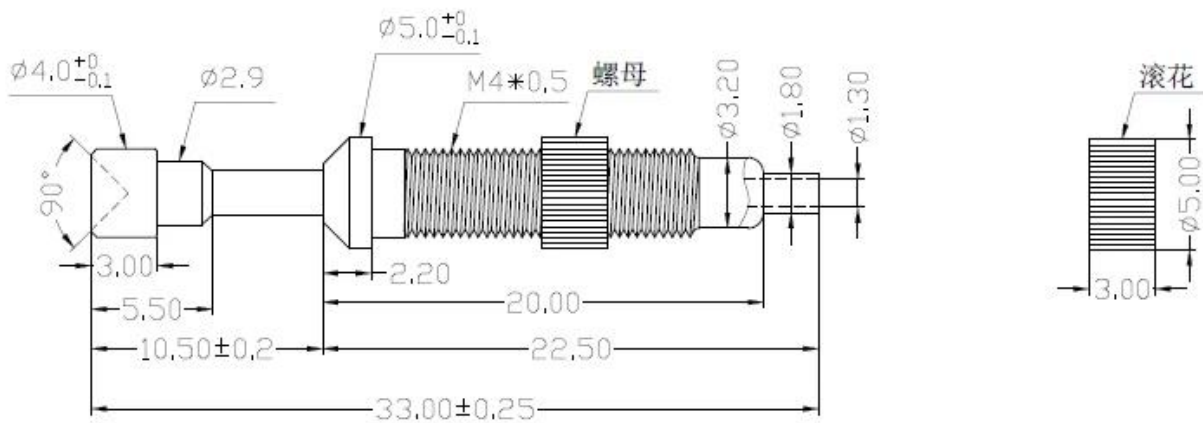
□□□

□□	SFENG
□□	SF-m4x33-A
□□□	/
□□	□□
□	SU
□□□ □	250g
□□ □□	4.0mm
□□	□□□
□□ □□	
□□	/
□□ □□	/
MOQ	1000
□□ □□	□□ □□ □ 15 □

□□□ □□□ □ □□□



000 000 0 000



□□ □□

- 1. □□ □□.
- 2. □□□ □□ □□□□□.
- 3. □□ □□ □□ □ □□ □□.
- 4. □□□□ □□ □□.

□□ □□

PCB, ICT, FCT □□□□ □□□□□ □ (□□);

□□, □□□□, □□□, □□□ □ □□□□□□ 2 □□ □□ □□ □□ □□□ □□□□□ □□□ □ (□□□); □□ □□ □□□□□□;

BGA □ □□□ □□□ □□ □□ □□□;

□□ □ □□□ □□, □□□□ □□, LM □ QZ □ VZ □□□;

□□□ □□□, □□□ □□□, □□□□ □□;

□□□ □□□; □□ / □□;

□□ □□ □□ □□, 30 # OK □□, □□ □□, POM, □ □□ □

□□ □□



1. Raw material warehouse



2. Lathe workshop



3. Assemble workshop



4. Quality inspection

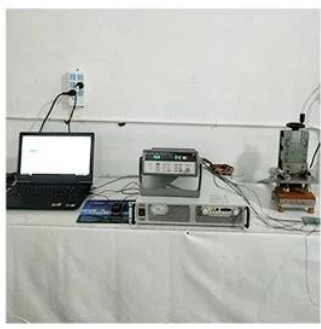


5. Finished products

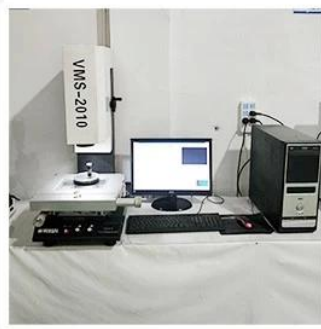


6. Packing

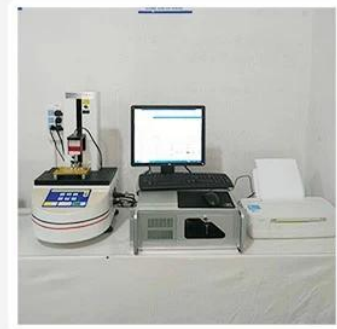
□□ □□



1. Agilent current testing



2. Quadratic element



3. Load Curve Meter



4. Bond Test



5. Life Fatigue Test



6. Microscope



Standard products will be delivered out within 3 days. Customized products will be sent out within 15 days.

