

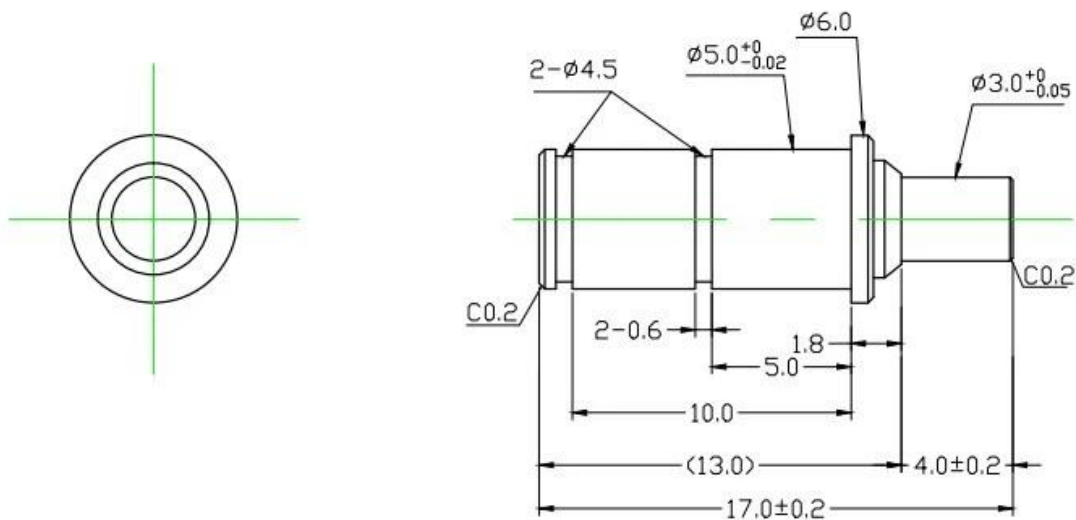
□□ □□

□□ □ ~□□ □□□□ □□□ ~□ □□□□ □□, □□, □□, □□, □□□□ □□□ □□ □□ □□ ~□ □□□ □□□ □□, ~□ □ □□ □□□□ □□□ □□ □□, □□, □□ □ ~□ □□□ □□□. □□ ~□ □□ □□□ □□ □, □□□□ □□, □□ □□, □□ □□ □□, □ □□□ □□ □□□ □□□ □□ ~□ ~□□ □□ □□ □□□ □□.

□□ □□

□□ □□	SF6019
□□□□□	3.0mm
□□ □□□□	2.0mm
□□□ □	100±20%gf@ load 2.0mm
MOQ	200PCS
□□□	Plastic bag, carton box
□□	□/□
□□ □□	□□□□ □□ □ 5~10□

□□ □□



□□ □□



1. raw material warehouse



2. Lathe workshop



3. Assemble workshop



4. Quality inspection



5. Finished products



6. Packing



Measuring Equipment >



Measuring Equipment:

1. Agilent current testing;
2. Quadratic element measurement
3. Load Curve Meter
4. Bond Test
5. Life Fatigue Test





□□ □□

1. PCB, ICT, FCT □□ □□ □□ □□ □□ □□;
- 2.□□, □□ □□, □□□, □□□ □ □□□□ □□□□□□ □□ □ □□ □□ □□ □□ □□ □□□ □□ □□□;
- 3.BGA □ □□□ □□□□ □□ □□ □□ □□;
- 4.□□□□ □□ □□ □, □□ □, QZ □ VZ □□□□ □□ LM □;
- 5.□□□ □□□, □□□ □□□, □□□□□ □□;
6. □□□ □ □□□/□□;
7. □□ □□ □□ □□, □□ □□ □□, POM □ □.

□□□ □□□□ □□ □□ □□□□ □□□ □□□. □□□ □□□ □□ □□□ □□ □□□ □□□□ □□ □□□ □□ □□□ □□□.

□□□ □□□

- 1.□□□ □□□ □□□ □□□□ 24□□ □□□ □□□ □□ □ □□□□.
2. □□□ □□□□ □□□□ OEM□ □□□□□.
- 3.□□□ □ □□ □□□□ □□□ □□□□ □□□ □□ □□□□ □ □□□□.
- 4.□□□ □□□□ □□□□ □□□ □□ □□□□ □□□ □ □□□□.