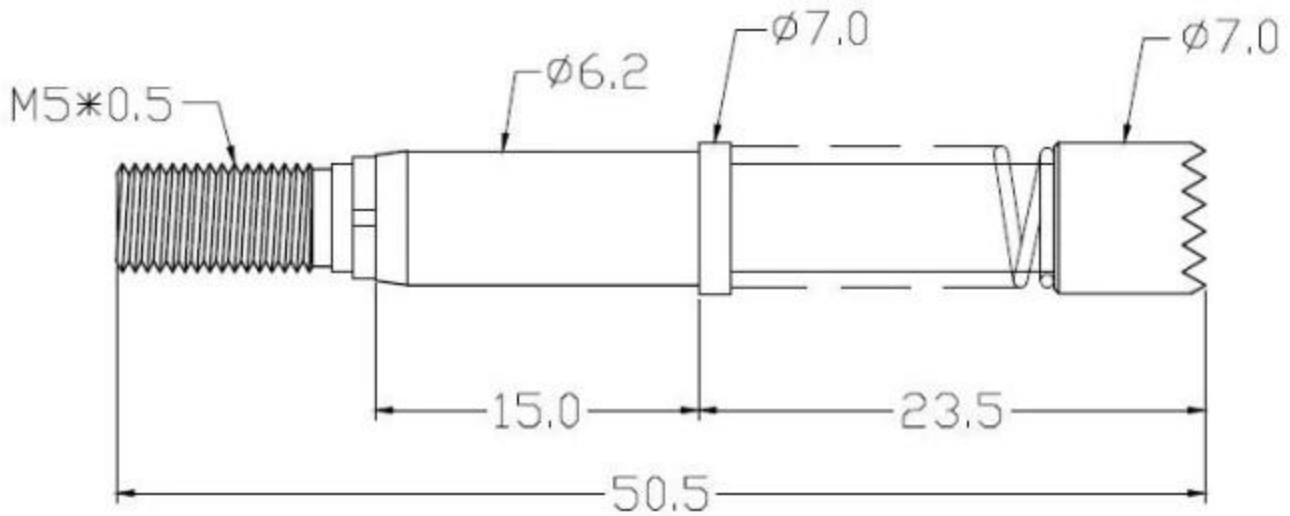
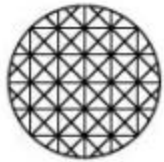


□□ □□

□□	SF-7.0*50.5
□□	□□ □□
□□□ □□	30A
□□ □□(□□)	5.0mΩ
□□ □□ □□	≥6.0mm
□□ □□	1.5kg±20%(4.0mm)

□□ □□



□□□ □□□

1. □□ □□ 24□□ □□□ □□□ □□□ □ □□□□.
2. □□□ □□□ □□□□ □□□□ □□□ OEM□ □□□□□.

3. 30# OK 30# OK 30# OK 30# OK 30# OK 30# OK 30# OK.

4. 30# OK 30# OK 30# OK 30# OK 30# OK 30# OK 30# OK 30# OK.

PCB, ICT, FCT

PCB, ICT, FCT 30# OK 30# OK 30# OK 30# OK 30# OK;

30# OK, 30# OK, 30# OK, 30# OK 30# OK 30# OK 30# OK 30# OK 30# OK Pogo 30# OK;

BGA 30# OK 30# OK 30# OK;

30# OK 30# OK 30# OK, 30# OK, QZ 30# OK VZ 30# OK 30# OK LM 30# OK;

30# OK 30# OK, 30# OK 30# OK, 30# OK 30# OK;

30# OK 30# OK / 30# OK;

30# OK 30# OK 30# OK, 30# OK OK 30# OK, 30# OK 30# OK, POM, 30# OK 30# OK

PCB, ICT, FCT



1. Raw material warehouse



2. Lathe workshop



3. Assemble workshop



4. Quality inspection



5. Finished products



6. Packing

PCB, ICT, FCT



□□ □□

Standard products will be delivered out within 3 days. Customized products will be sent out within 15 days.



□□ □□□

