

00 00

00	SFENG
00 00	SFM365 105 400 A8001
000	00 00 Becu, 0 00 00 00
0	00, 0 00 00 00
0	SK4, 00 000
MOQ	100PCS
00 00	7 00000 0 000

00 00

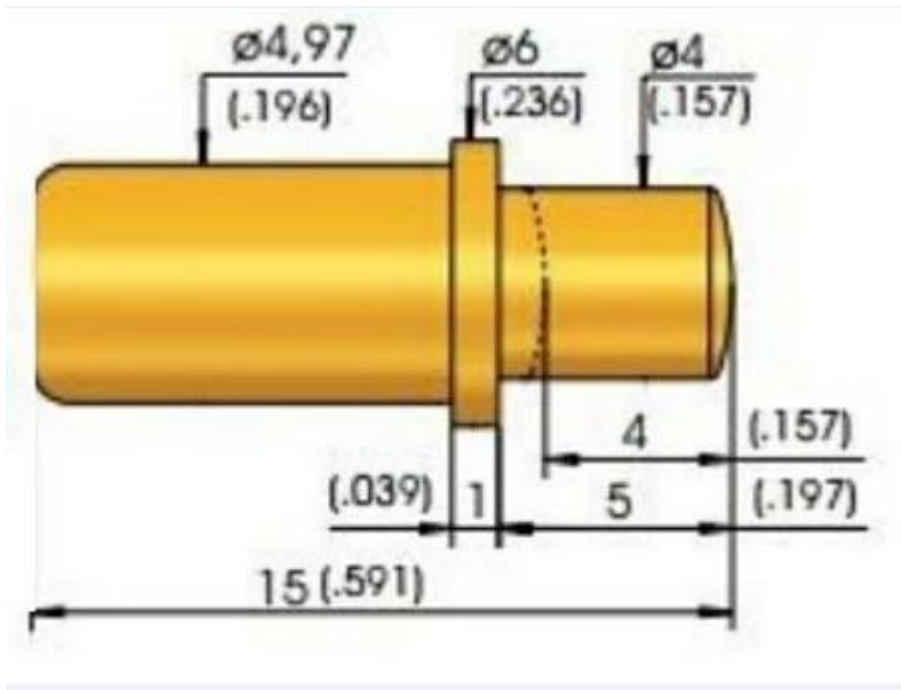
**SFENG**  
The China's The World's

RoHS

QUALITY ASSURED FIRM  
ISO 9001  
SGS

CE

chinapogopinsupplier.com



□□ □□

- 1.Reply 24 □□ □□ □□ □□
- 2.Customized □□□□ □□□□, OEM □□
- 3.Delivery □□□ □□□□ □ □□ □□□□ □□□ □
- 4.provide □□□ □□□□ □□ □□ □□ □□

□□ □□

- □□□ □ □ PCB, ICT, FCT □□□□□□ (□□)
- □□ □ (□□□) □□ (usually temporary) □□□ □□□□ □
- , □□ □□□, □□□ & A □□□□□ □□ □□ □□;
- interconnectApplications;
- □□ □□ probef or BGA & A; semiconudtion □□□;
- □□ □ □□□, coating pin, LM □ with QZ & A; VZ series;
- □□ □□ □□□, □□□ □□□□, □□ □□ ...
- □□□ & A, □□ / □□;
- □□ □□ □□ compents, 30 # OKwire, □□ □□ □□, POM, Ironhinge □

□□ □□

Spring exhausted tester



DC power supply



Current resistance tester



Microscope



Tensile strength tester



Spring tester



