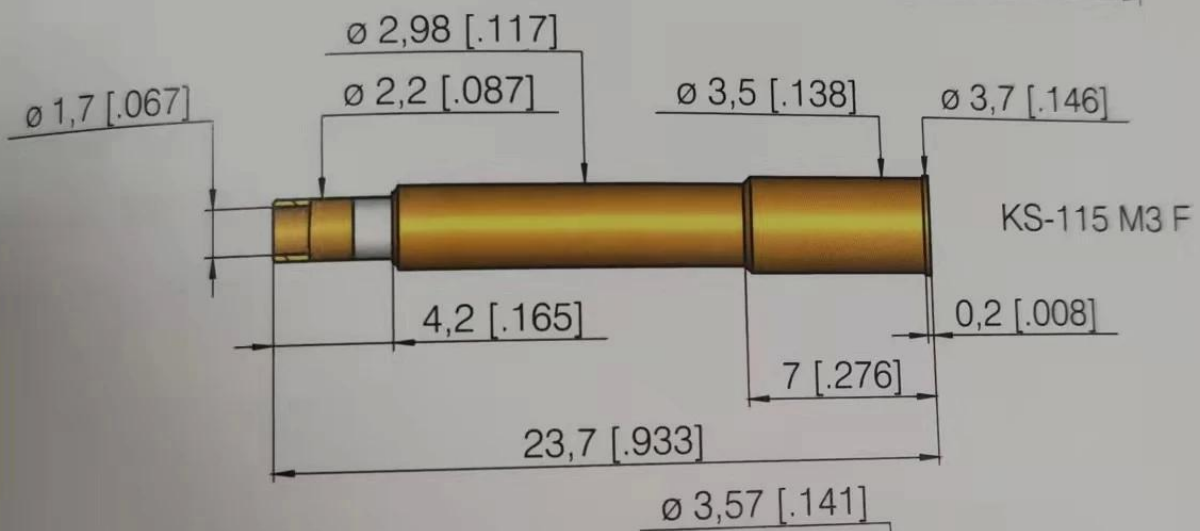
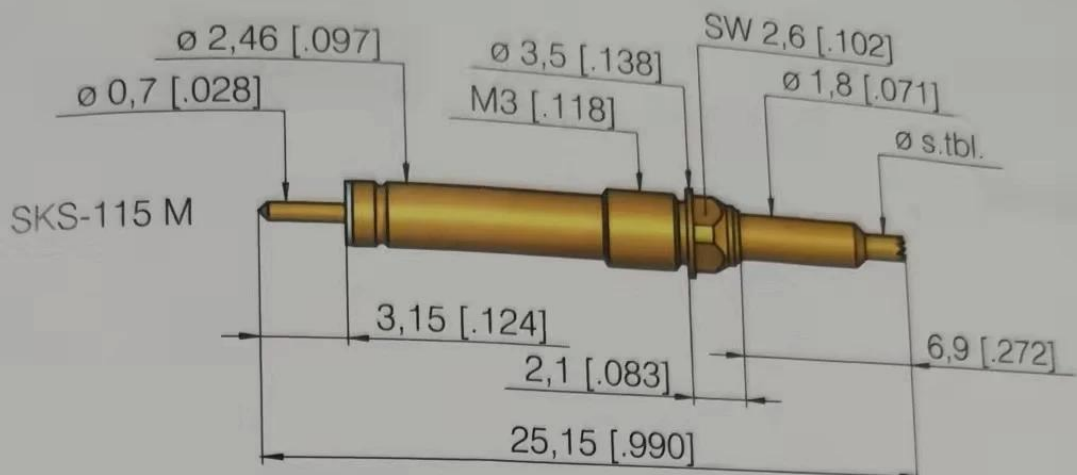


□□ □□

□□ □□	SF6028
□□	□□3.5*L25.15mm
□□	□□□:□□, □ □□ □□:□□, □ □□ □□□:□□, □ □□ □□□:□□, □□ □□
□□□ □□	1.7±0.2mm
□□ □□	5.0mm
□□ □□	4.0mm
□□ □□	3A
□□ □□	-40~80°C
MOQ	100PCS
□□	□/□
□□ □□	□□□□ □□ □ 5~15□

□□ □□





1. raw material warehouse



2. Lathe workshop



3. Assemble workshop



4. Quality inspection



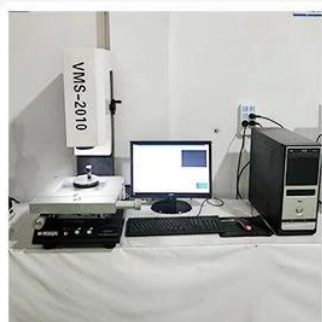
5. Finished products



6. Packing



Measuring Equipment >



Measuring Equipment:

1. Agilent current testing;
2. Quadratic element measurement
3. Load Curve Meter
4. Bond Test
5. Life Fatigue Test





□□ □□

1. PCB, ICT, FCT □□ □□ □□ □□ □□(□□);
 2. □□, □□ □□, □□□, □□□ □ □□□□□□ □□ □ □□ □□ □□ □□ □□ □□ □□ □□ □□(□□□);
 3. BGA □ □□□ □□□□ □□ □□ □□ □□;
 4. □□□□ □□ □□ □, □□ □, QZ □ VZ □□□□ □□ LM □;
 5. □□□ □□□, □□□ □□□, □□□□□ □□;
 6. □□□ □ □□□/□□;
 7. □□ □□ □□ □□, □□ □□ □□, POM □ □.
- □□□□ □□ □□ □□□□ □□ □□□. □□□ □□□ □□ □□□ □□ □□□ □□□ □□ □□□ □□ □□□.

□□□ □□□

1. □□□ □□□ □□□ □□□ 24□□ □□□ □□□ □□ □ □□□□.
2. □□□ □□□□ □□□□ OEM□ □□□□□.
3. □□□ □ □□ □□□□ □□□ □□□□ □□□ □ □□□□.
4. □□□ □□□□ □□□□ □□□ □□ □□□□ □□□ □ □□□□.