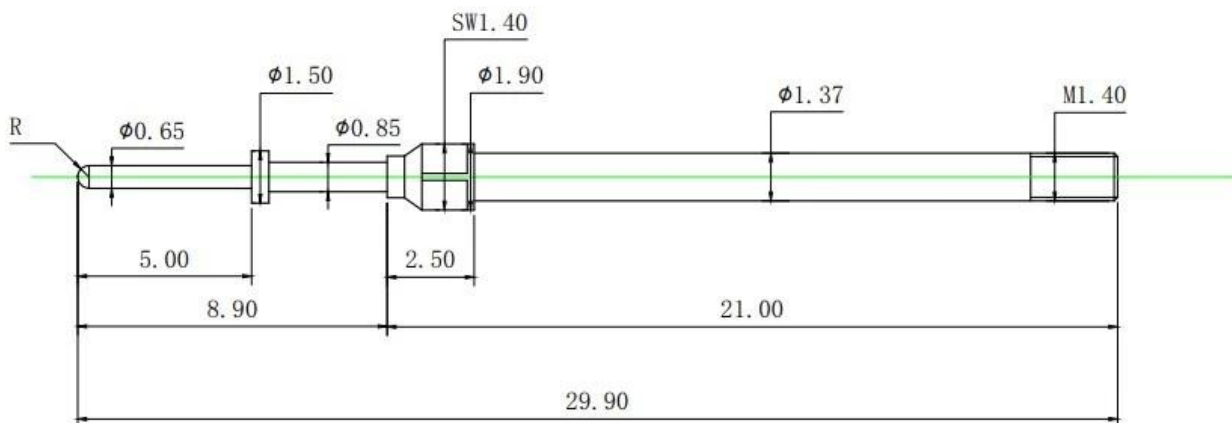


□□ □□

□□ □□	SF5567
□□□□ □□	OEM ODM
□□	□□1.9*29.9mm
□□	□□□:BeCu, □ □□ □□:□□, □ □□
MOQ	100PCS
□□	□/□
□□ □□	□□□□ □□ □ 5~15□

□□ □□



□□ □□



1. raw material warehouse



2. Lathe workshop



3. Assemble workshop



4. Quality inspection



5. Finished products



6. Packing



Measuring Equipment >



Measuring Equipment:

1. Agilent current testing;
2. Quadratic element measurement
3. Load Curve Meter
4. Bond Test
5. Life Fatigue Test



