

□□□

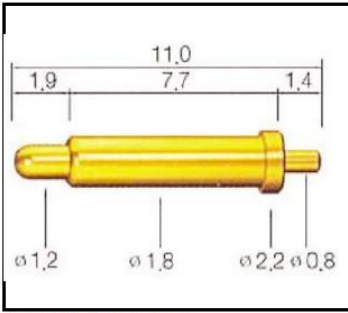
□□	SFENG
□□	□□□ □□ □□ □
□□□	□□
□□	□□
□	□□□□□
□□□ □	□□□
□□ □□	□□□
□□□ □□	□□□
□□ □□	□□
□□	□□
□□ □□	□□
MOQ	100
□□ □□	□□ □□ □ 15 □

□□ □ □□□

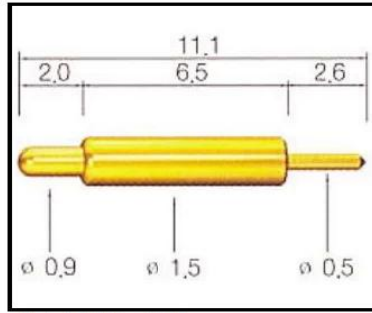
**SFENG**  
The China's The World's



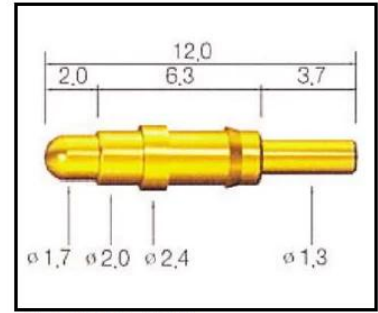




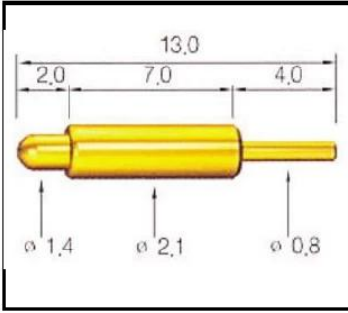
SF-P110G-180



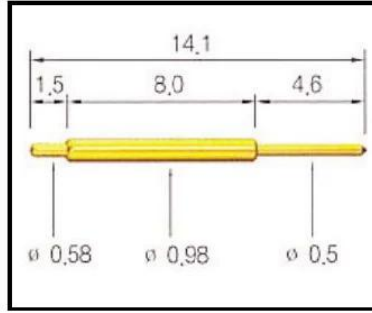
SF-111G-150



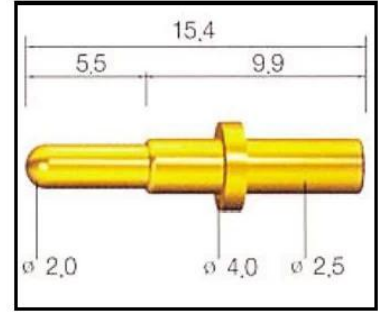
SF-120G-200



SF-130G-210



SF-141G-098



SF-154G-250

□□ □□

1. □□ □□.
2. □□□ □□ □□□□□.
3. □□ □□ □□ □ □□ □□.
4. □□□□ □□ □□.

□□ □□

PCB, ICT, FCT □□□□ □□□□□ □ (□□);

□□, □□□□, □□□, □□□ □ □□□□□□ 2 □□ □□ □□ □□ □□□ □□□ □□□□□ □□□ □ (□□□); □□ □□ □□□□□□;

BGA □ □□□ □□□ □□ □□ □□□;

□□ □ □□□ □□, □□□□ □□, LM □ QZ □ VZ □□□;

□□□ □□□, □□□ □□□, □□□□ □□;

□□□ □□□; □□ / □□;

□□ □□ □□ □□, 30 # OK □□, □□ □□, POM, □ □□ □

□□ □□



1. Raw material warehouse



2. Lathe workshop



3. Assemble workshop



4. Quality inspection



5. Finished products

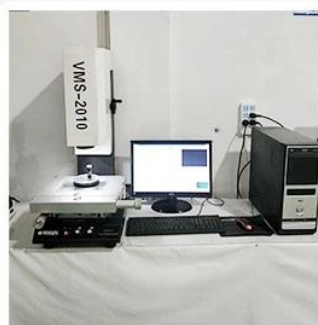


6. Packing

□ □ □ □



1. Agilent current testing



2. Quadratic element



3. Load Curve Meter



4. Bond Test



5. Life Fatigue Test



6. Microscope

□ □ □ □ □ □

Standard products will be delivered out within 3 days. Customized products will be sent out within 15 days.

