

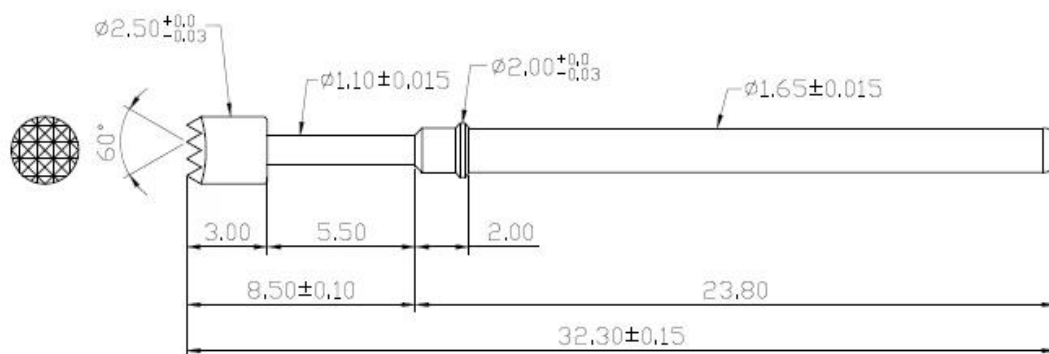
□□□

□□	SFENG
□□	SF-PA1.65X32.3-H2.5
□□□	□□□ □□
□□	□□
□	SU
□□□ □	150g
□□ □□	4.0mm
□□	□□□
□□ □□	50mΩ
□□	/
□□ □□	/
MOQ	1000
□□ □□	□□ □□ □ 15 □

□□□ □□□ □ □□□



000 000 0 000



000 000

1. 00 00.

- 2. 鋼材 鋼 鋼鋼鋼鋼.
- 3. 鋼 鋼 鋼 鋼 鋼 鋼 鋼.
- 4. 鋼鋼鋼 鋼 鋼.

鋼 鋼

PCB, ICT, FCT 鋼鋼鋼 鋼鋼鋼鋼 鋼 (鋼鋼);

鋼, 鋼鋼鋼, 鋼鋼, 鋼鋼 鋼 鋼鋼鋼鋼鋼 2 鋼 鋼 鋼 鋼 鋼鋼 鋼鋼 鋼鋼鋼鋼鋼 鋼鋼 鋼 (鋼鋼); 鋼 鋼 鋼鋼鋼鋼鋼;

BGA 鋼 鋼鋼 鋼鋼 鋼 鋼 鋼鋼;

鋼 鋼 鋼鋼 鋼, 鋼鋼 鋼, LM 鋼 QZ 鋼 VZ 鋼鋼;

鋼鋼 鋼鋼, 鋼鋼 鋼鋼, 鋼鋼鋼 鋼鋼;

鋼鋼 鋼鋼; 鋼 / 鋼;

鋼 鋼 鋼 鋼, 30 # OK 鋼, 鋼 鋼, POM, 鋼 鋼 鋼

鋼 鋼



1. Raw material warehouse



2. Lathe workshop



3. Assemble workshop



4. Quality inspection



5. Finished products

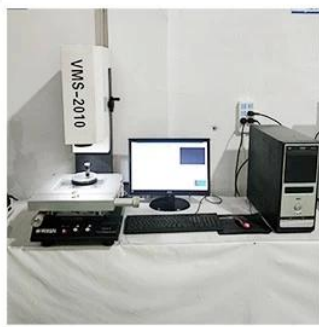


6. Packing

鋼 鋼



1. Agilent current testing



2. Quadratic element



3. Load Curve Meter



4. Bond Test



5. Life Fatigue Test



6. Microscope



Standard products will be delivered out within 3 days. Customized products will be sent out within 15 days.

