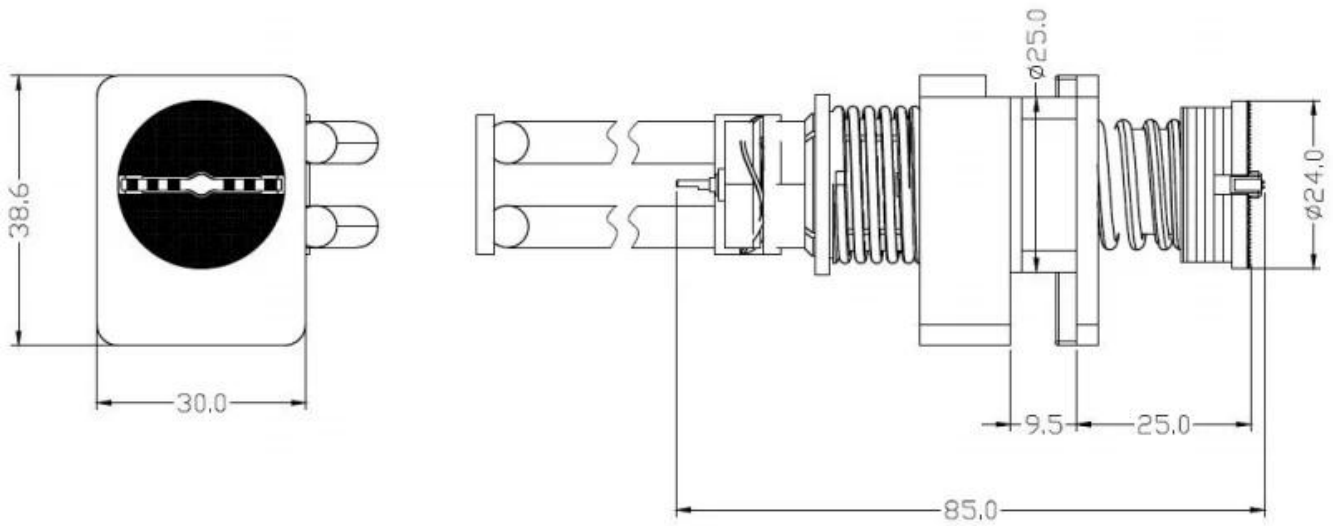


# 200A

20 0A	20 0A
SF-24.0*85.0	SF-24.0*85.0
200A	200A
10.0kg @ 5.0mm	10.0kg @ 5.0mm

## 



## 

1. 24mm
2. OEM
- 3.
- 4.

## 

PCB, ICT, FCT

Pogo

BGA

LM

□□ □□, □□ □□, □□□□ □□;

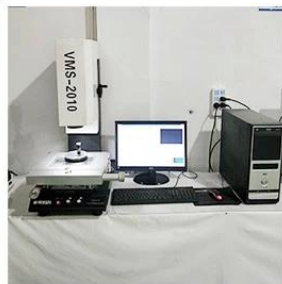
□□ □ □□□ /□□;

□□ □□ □□ □□, 30# OK □□□, □□ □□ □□, POM, □ □□ □

□□ □□



1. Agilent current testing



2. Quadratic element



3. Load Curve Meter



4. Bond Test



5. Life Fatigue Test



6. Microscope

□□ □□

Standard products will be delivered out within 3 days. Customized products will be sent out within 15 days.

