

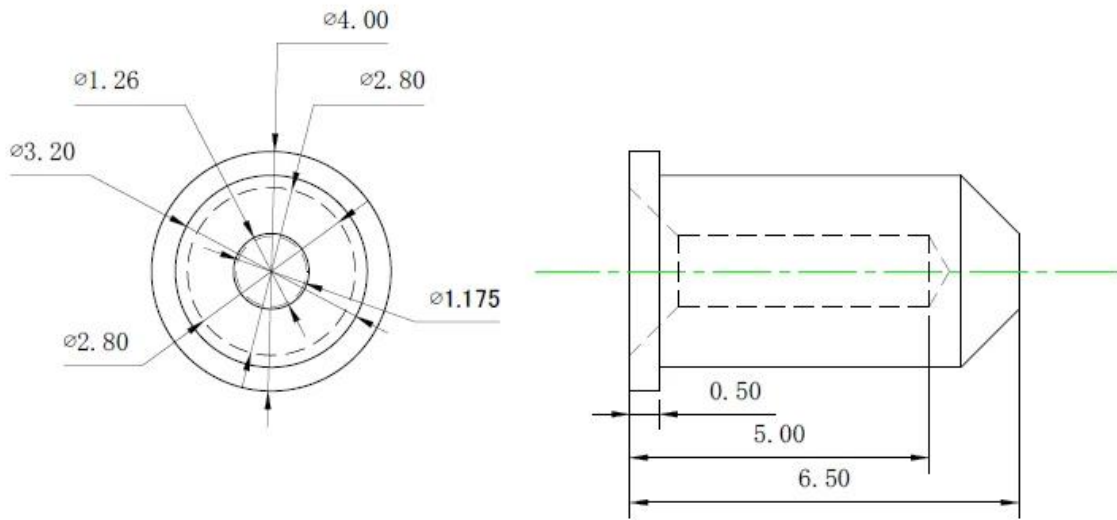
000

| | |
|---------|-------------|
| 00 | SFENG |
| 00 | SF- 3.2X6.5 |
| 000 | 00 |
| 0 | 00 |
| 000 000 | Becu |
| 000 0 | 00 |
| 00 00 | 00 |
| 00 | 0000 0 |
| 00 00 | 00 |
| 00 | 00 |
| 00 00 | 00 |
| MOQ | 5000 |
| 00 00 | 00 00 15 0 |

00 0 000



□□ □ □□□



□□□ □□□

1. □□ □□.
2. □□□ □□□ □□□□□.
3. □□ □□ □□□ □□ □□.
4. □□□□ □□ □□.

□□ □□

PCB, ICT, FCT □□□□ □□□ □□ □ (□□)

□□, □□ □□, □□□, □□□ □ □□□□ □□ □ □□ □□ □□ □□ □□□□□□ □□□ □ (□□□). □□ □□ □□□□□□;

BGA □ □□□ □□□ □□ □□ □□□;

□□ □ □□ □□□, □□□ □□, LM □ QZ □ VZ □□□;

□□□ □□□, □□□ □□□, □□□□ □□;

□□ □ □□□; □□ / □□;

□□ □□ □□ □□, 30 # OK □□, □□ □□ □□, POM, □ □□ □

□□ □□



1. Raw material warehouse



2. Lathe workshop



3. Assemble workshop



4. Quality inspection



5. Finished products

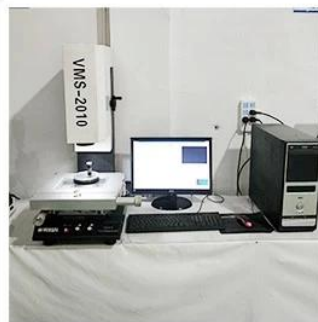


6. Packing

□□ □□



1. Agilent current testing



2. Quadratic element



3. Load Curve Meter



4. Bond Test



5. Life Fatigue Test



6. Microscope

□□ □□ □□

Standard products will be delivered out within 3 days. Customized products will be sent out within 15 days.

