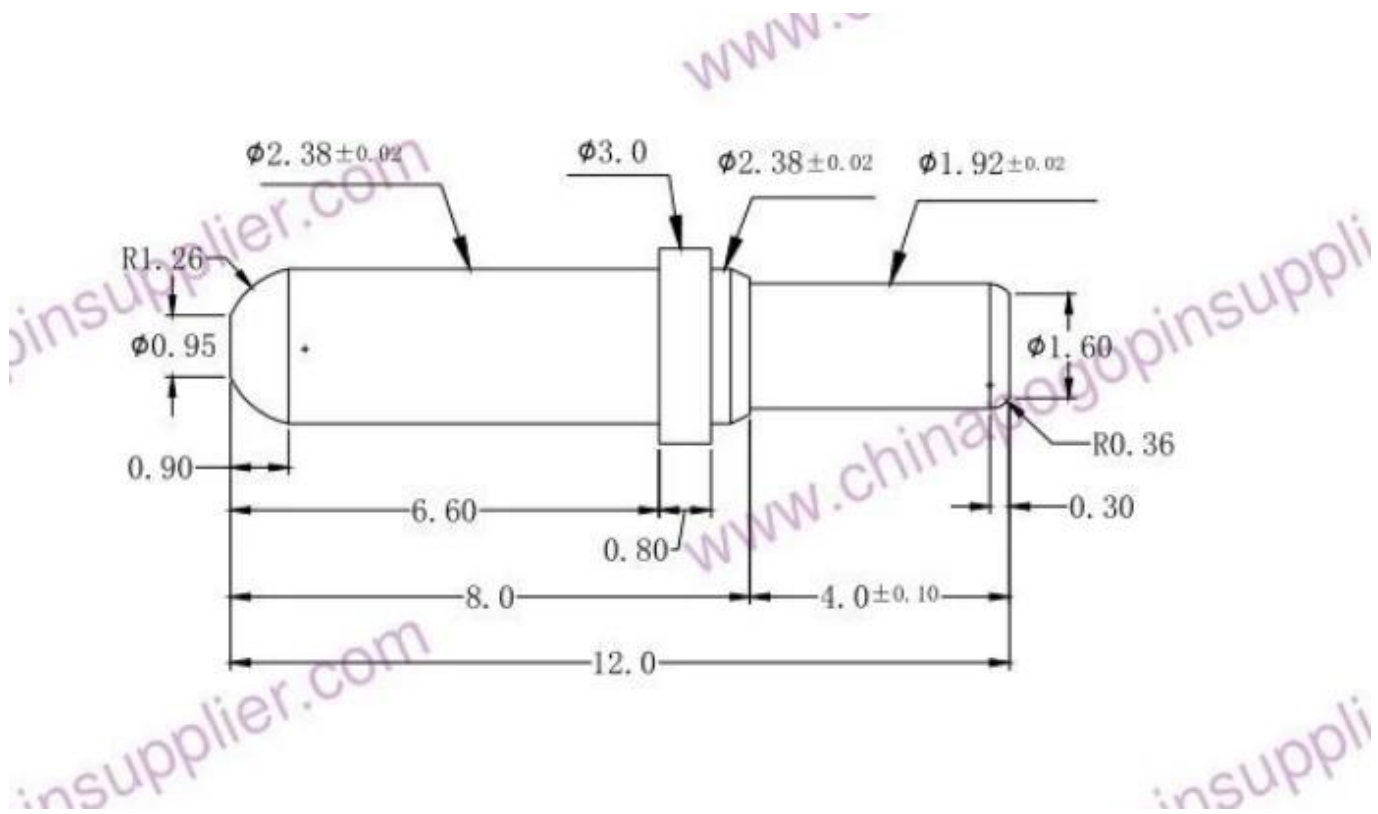


□□□

□□	SFENG
□□	SF-PPA2.38X12
□□□	□□
□□	□□
□	□□□□□
□□□ □	100 □□
□□ □□	1.7mm
□□	□□□
□□ □□	□□
□□	□□
□□ □□	□□
MOQ	2000 □
□□ □□	□□ □□ □ 15 □

□□ □ □□□





□□□ □□□

1. □□ □□.
2. □□□ □□ □□□□□.
3. □□ □□ □□ □ □□ □□.
4. □□□□ □□ □□.

□□ □□

PCB, ICT, FCT □□□□ □□□□□ □ (□□);

□□, □□□□, □□□, □□□ □ □□□□□□ 2 □□ □□ □□ □□ □□□ □□□□□ □□□ □ (□□□); □□ □□ □□□□□□;

BGA □ □□□ □□□ □□ □□ □□□;

□□ □ □□□ □□, □□□ □□, LM □ QZ □ VZ □□□;

□□□ □□□, □□□ □□□, □□□□ □□;

□□□ □□□; □□ / □□;

□□ □□ □□ □□, 30 # OK □□, □□ □□, POM, □ □□ □

□□ □□



1. Raw material warehouse



2. Lathe workshop



3. Assemble workshop



4. Quality inspection

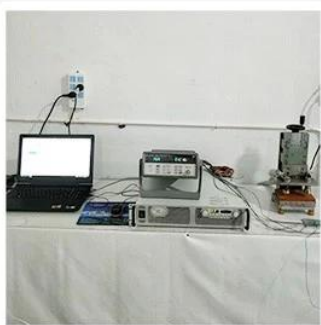


5. Finished products

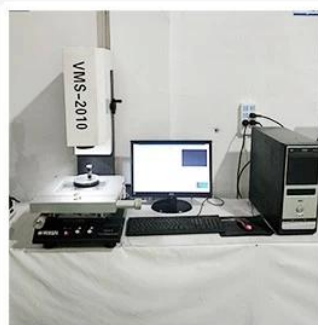


6. Packing

□ □ □ □



1. Agilent current testing



2. Quadratic element



3. Load Curve Meter



4. Bond Test



5. Life Fatigue Test



6. Microscope

□ □ □ □ □ □

Standard products will be delivered out within 3 days. Customized products will be sent out within 15 days.

