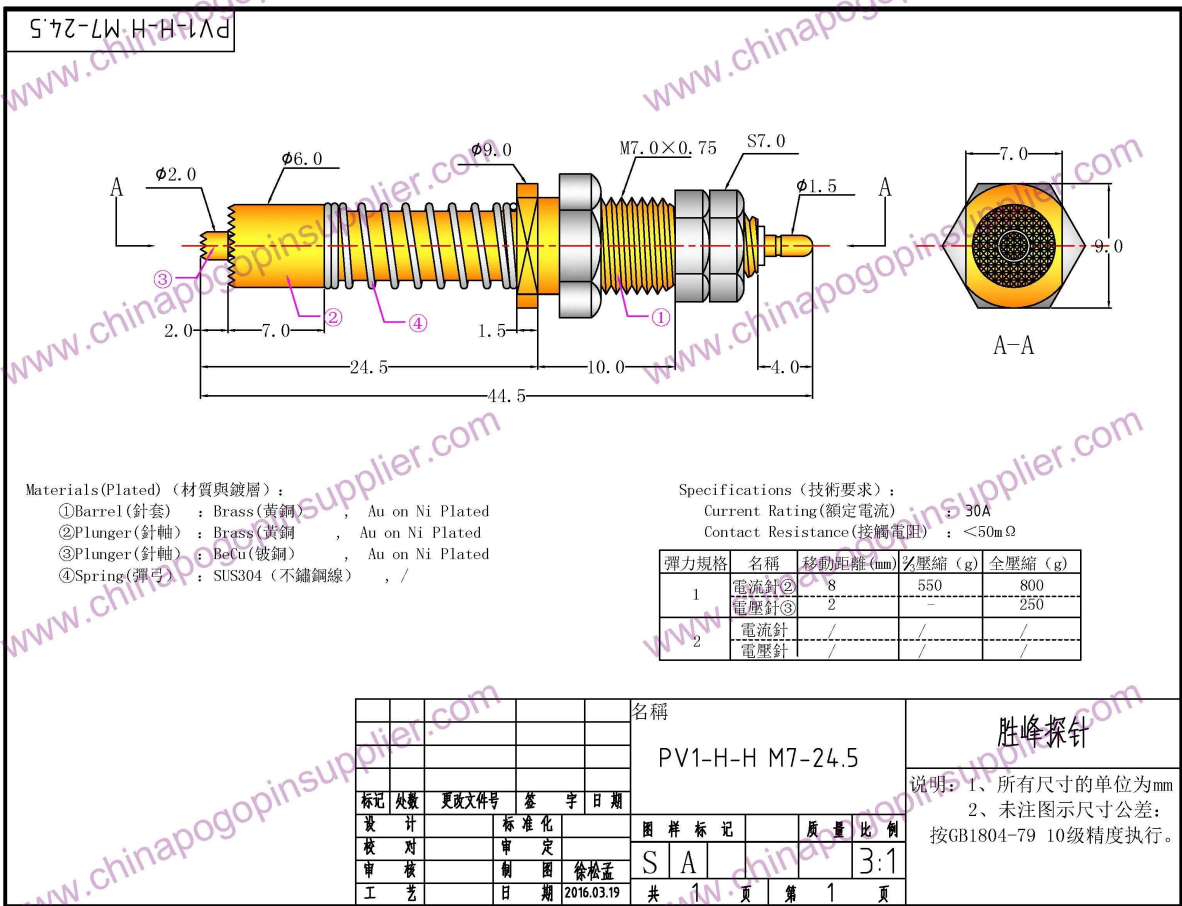


□□□

□□	SFENG
□□	30A □□ □□ SF-PV 1-H-H-M 7.0
□□□	□□□ □□
□	□□
□	SUS304
□□□ □	□□□
□□ □□	□□□
□□ □□	□□
□□ □□	□□
□□	□□
□□ □□	□□
MOQ	100
□□ □□	□□ □□ □ 15 □

□□ □□□





□□ □□

- □□.
- □□ □□□□□.
- □□ □□ □ □□ □□.
- □□ □□.

□□ □□

PCB, ICT, FCT □□□□ □□□□□ □ (□□);

□□, □□□□, □□□, □□□ □ □□□□□□ 2 □□ □□ □□ □□ □□ □□ □□□□□ □□□ □ (□□□); □□ □□ □□□□□□;

BGA □ □□□ □□□ □□ □□ □□□;

□□ □ □□□ □□, □□□□ □□, LM □ QZ □ VZ □□□;

□□□ □□□, □□□□ □□□□, □□□□ □□;

□□□□ □□□; □□ / □□;

□□ □□ □□ □□, 30 # OK □□, □□ □□, POM, □ □□ □

□□ □□



1. Raw material warehouse



2. Lathe workshop



3. Assemble workshop



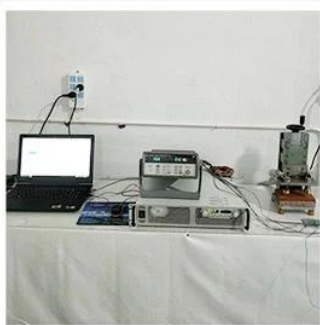
4. Quality inspection



5. Finished products



6. Packing



1. Agilent current testing



2. Quadratic element



3. Load Curve Meter



4. Bond Test



5. Life Fatigue Test



6. Microscope



Standard products will be delivered out within 3 days. Customized products will be sent out within 15 days.

