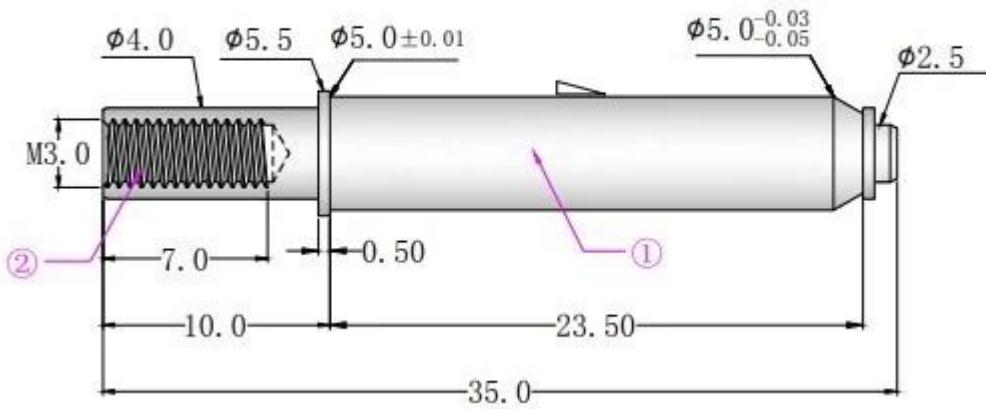


□□ □□

□□ □□	SF0305
□□	□□5.5*L35.0mm
□□	□□□:□□ □□:□□ □: SUS304
□□□□□	9.5mm
□□□ □	1000gf@ 1oad 9.5mm
MOQ	300PCS
□□	□/□
□□ □□	5~15□ □□□□ □□ □

□□ □□



□□ □□



1. raw material warehouse



2. Lathe workshop



3. Assemble workshop



4. Quality inspection



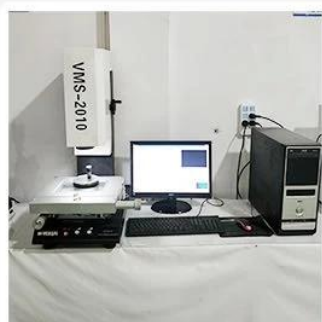
5. Finished products



6. Packing



Measuring Equipment >



Measuring Equipment:

1. Agilent current testing;
2. Quadratic element measurement
3. Load Curve Meter
4. Bond Test
5. Life Fatigue Test



