

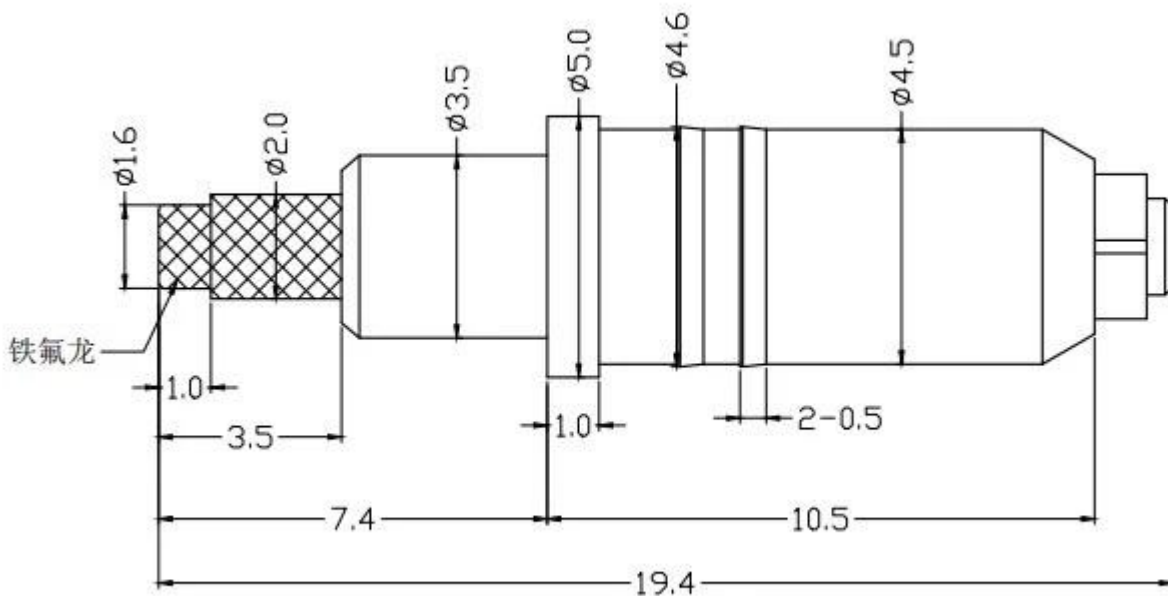
00 00

00 0 ~00 00000 0000 ~0 00000 00, 00, 00, 00, 0000 0000 00 00 00 ~0 0000 0000 00, ~0 0 00 00000 0000 00 00, 00, 00 0 ~0 0000 0000. 00 ~0 00 0000 00 0, 00000 00, 00 00, 00 00 00, 0 0000 00 0000 0000 ~0 ~000 00 00 0000 00.

00 00

00 00	SF6994
00 00000	1.5mm
000000	3.0mm
0000 0	10±3gf@ 1oad 1.5mm
00000 00	OEM & ODM
MOQ	200PCS
0000	Plastic bag, carton box
000	00 0 100% T/T
000 00	00000 00 0 5~100

00 00



00 00



1. raw material warehouse



2. Lathe workshop



3. Assemble workshop



4. Quality inspection



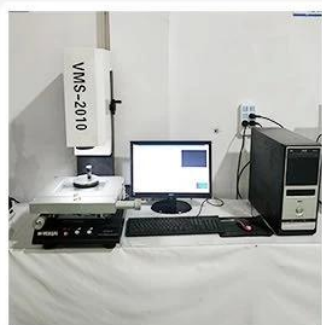
5. Finished products



6. Packing



Measuring Equipment >



Measuring Equipment:

1. Agilent current testing;
2. Quadratic element measurement
3. Load Curve Meter
4. Bond Test
5. Life Fatigue Test



