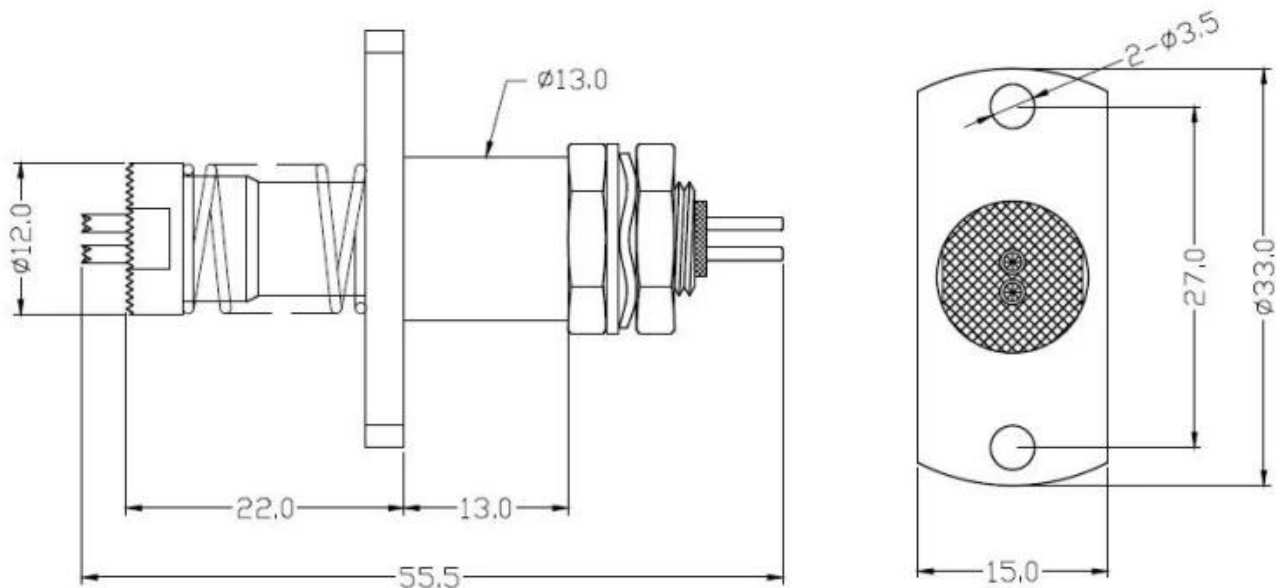


# Productspecificatie

Model	<b>SF-12.0*55.5</b>
Materiaal	Koper legering
Huidige score	30A
Contactweerstand (initieel)	1.0mΩ
Volledige compressiereizen	≥7,0 mm
Aanbevolen werkreizen	4,0 kg ± 20% (5,0 mm)

# Producttekening



## Onze service

1. We kunnen uw vraag binnen 24 werkuren beantwoorden.
2. Aangepast ontwerp is beschikbaar en OEM is welkom.
3. We kunnen de sondepennen snel en nauwkeurig aan onze klanten over de hele wereld leveren.

4. We kunnen de laagste prijs voorzien van een product van hoge kwaliteit aan onze klant.

## hoofd producten

Veerbelaste pen (enkel) voor PCB-, ICT-, FCT-testen enz.;

Pogo-pin (connector) om een verbinding tot stand te brengen tussen twee printplaten voor opladen, lokaliseren, batterij-, halfgeleider- en interconnect-toepassingen;

Dubbelzijdige sonde voor BGA- en halfgeleider testen;

Universele pen zonder veer, coatingpen, LM-pen met QZ- en VZ-serie;

Hoge huidige sonde, Schakelaarsonde, Capaciteitsnaald;

Terminal & contactdoos / contactdoos;

Andere gerelateerde elektronische componenten, 30 # OK-draad, Jig-sloten, POM, ijzeren scharnier enz

## productiestroom



1. Raw material warehouse



2. Lathe workshop



3. Assemble workshop



4. Quality inspection



5. Finished products



6. Packing

## Foto inpakken



## Verzenden informatie

Standard products will be delivered out within 3 days. Customized products will be sent out within 15 days.



## Fabriek afbeelding



## FAQ

## FAQ

### 1. What is terms of SFENG payment?

Usually, we require 100% payment before delivery. You can choose Wire transfer and Pay Pal. The currency we accept are USD dollar, Japanese Yuan and RMB. Payment term is negotiable for special order.

### 2. What is the lead time of orders?

SFENG can send standard probes products out within 3 days. For customized products, the lead time is 15-20 days depending on order quantity.

### 3.How does SFENG control product quality?

SFENG have skilled QC team and professional testing equipment. From raw material to finished products, we have complete checking process. Only approved products are allowed to deliver to customer.

### 4. Can customized products be accepted?

Yes, one biggest advantage of SFENG is product customization. Just telling us the parameter and function you need, our professional engineer will design product specially for you.

### 5.How does SFENG hand in case of a compliant?

Compliant seldom happen. Usually, we will find root case and take corrective measure within one week since receiving defective samples.