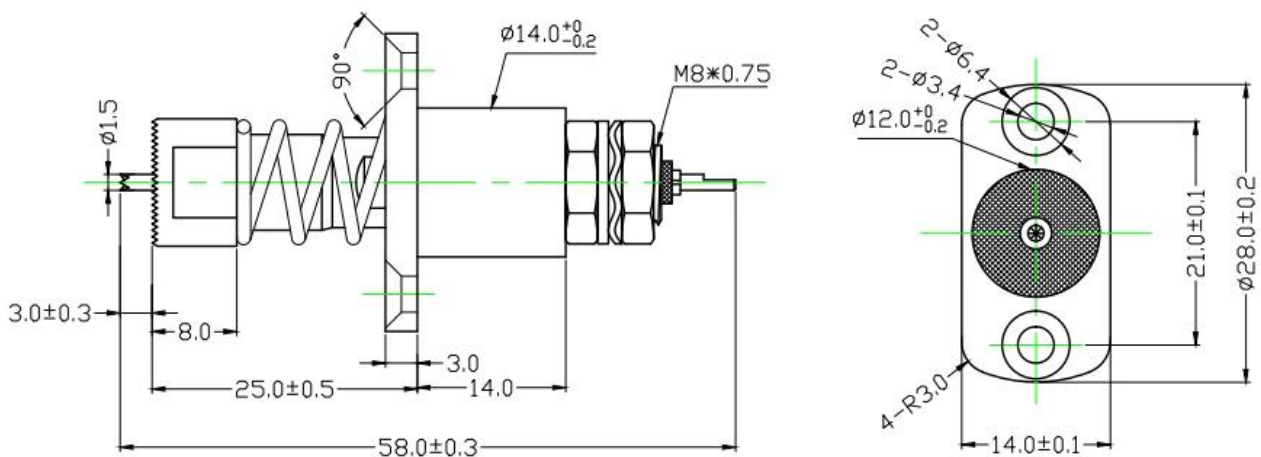


## 30A High Current Probe for Battery

<b>Product Name</b>	<b>30A High Current probe</b>
<b>Item no.</b>	<b>SF-12.0*58.0</b>
<b>Material</b>	<b>Brass</b>
<b>Plating</b>	<b>Partial gold-plated over nickle</b>
<b>Current ration</b>	<b>30A</b>
<b>Spring force</b>	<b>3.0kg @ load 5.0mm</b>

### Product Picture



### Our Service

1. We can reply your inquiry within 24 working hours.
2. Customized design is available and OEM are welcomed.
3. We can deliver the probe pins to our clients all over the world with speed and precision.
4. We can provide the lowest price with high quality product to our client .

### Main Products

Spring loaded pin (single) for PCB, ICT, FCT testing etc;

Pogo pin (connector) to establish connection between two printed circuit boards for charging, locating, Battery, Semiconductor & Interconnect applications;

Double ended probe for BGA and Semiconductor testing;

Universal pin without spring, coating pin, LM pin with QZ and VZ series;

High current probe, Switch probe, Capacitance needle;

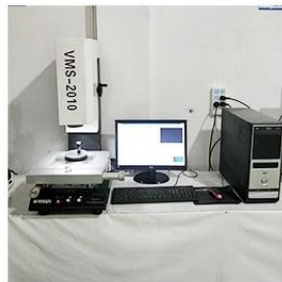
Terminal & receptacle /socket;

Other related electronic components, 30# OK wire, Jig locks, POM, Iron hinge etc

## Quality Control



1. Agilent current testing



2. Quadratic element



3. Load Curve Meter



4. Bond Test



5. Life Fatigue Test



6. Microscope

## Packing Picture

Standard products will be delivered out within 3 days. Customized products will be sent out within 15 days.

