

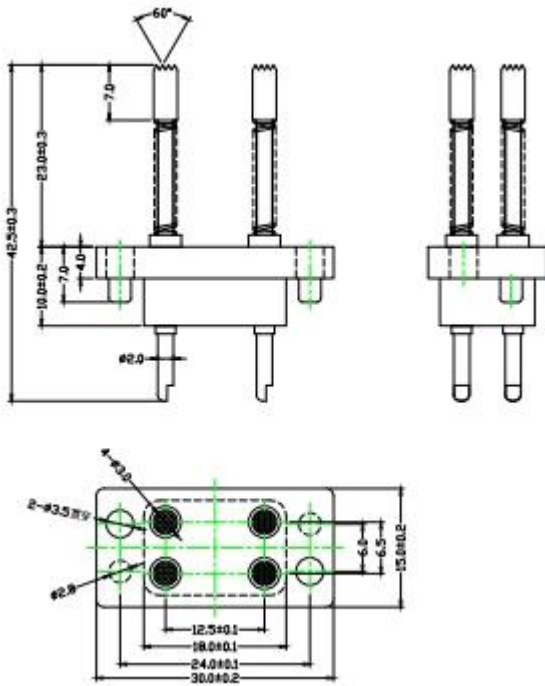
# Product Name: SF-pogo pin

## Material and finishes

Plunger: Be Cu, Rh plated

Barrel: Brass, Gold plated

Spring: Stainless steel



## Pictures



**SFENG**  
The China's The World's



- Any tips,we could provide for you
- If you are interested in it,pls contact me

## ShengFeng Probe

Our company established in 1984,Shengfeng Probe,the register name of Suzhou Shengteng Electronic Co.,Ltd,specializing in the spring probe & the pogo pin &Terminal block with good quality,fast delivery and best service.

## Our Advantages

1. we have 30 years experience in probe pin and have ourself factory.
2. we provide free sample and have a testing department.
3. we could manufacture products as your request.
4. we guarantee best price and good service.

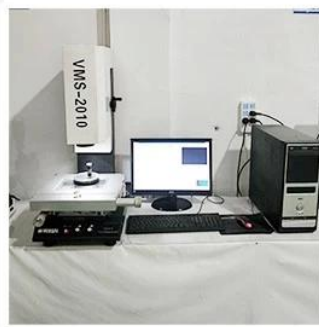
## Our factory



## Our equipment



1. Agilent current testing



2. Quadratic element



3. Load Curve Meter



4. Bond Test

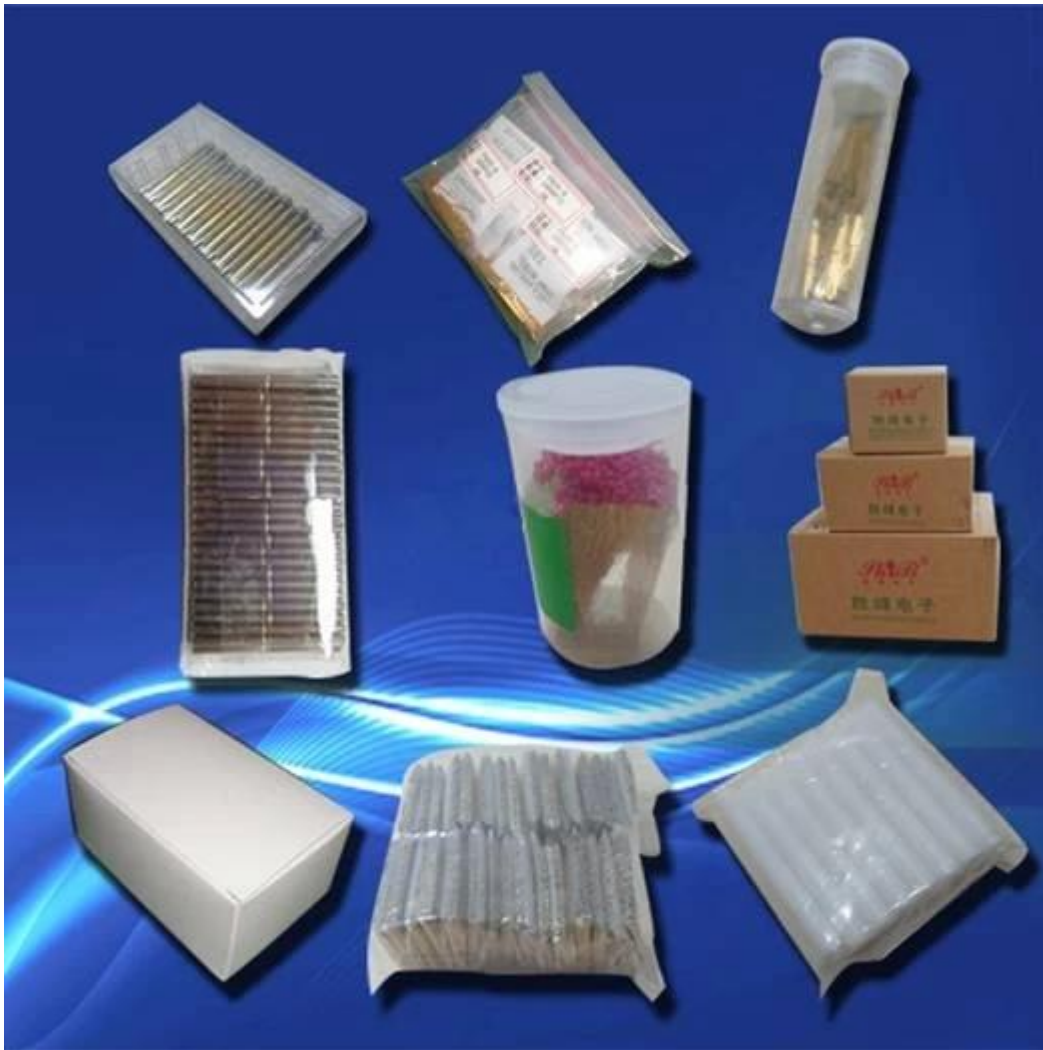


5. Life Fatigue Test



6. Microscope

**Our package**



## Shipping information

Standard products will be delivered out within 3 days. Customized products will be sent out within 15 days.

