

**Product Name:SF-probe pin**

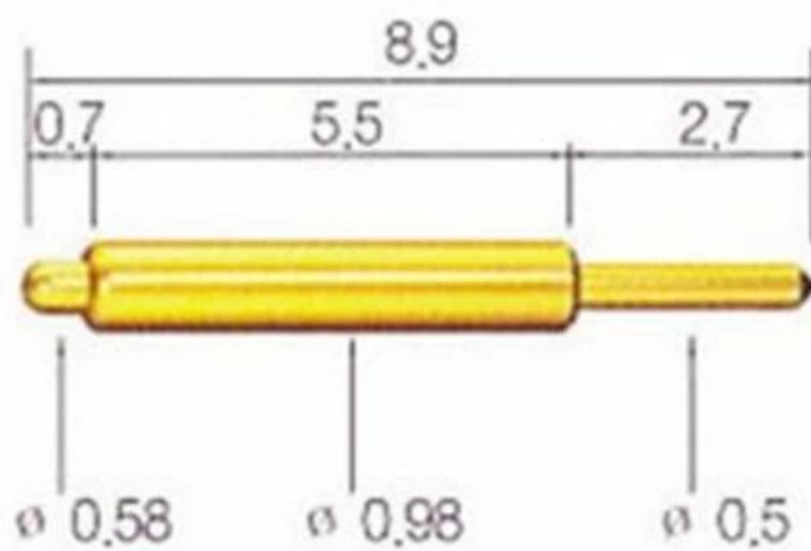
## **Material and finishes**

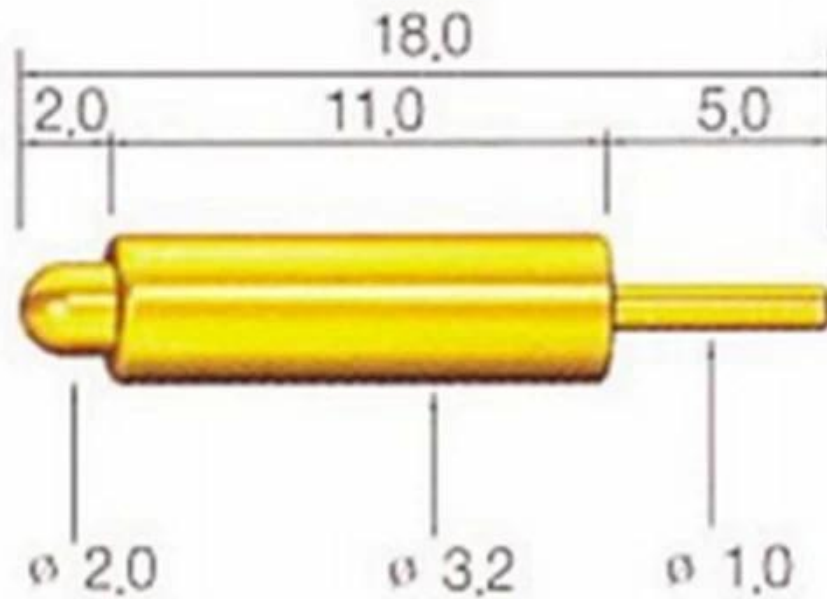
**Plunger:Be Cu,Rh plated**

**Barrel:Brass,Gold plated**

**Spring:Stainless steel**

## **Pictures**





- Any tips,we could provide for you
- If you are interested in it,pls contact me

## **ShengFeng Probe**

Our company established in 1984,Shengfeng Probe,the register name of Suzhou Shengteng Electronic Co.,Ltd,specializing in the

spring probe & the pogo pin & Terminal block with good quality, fast delivery and best service.

## **Our Advantages**

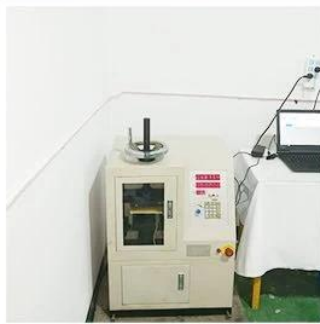
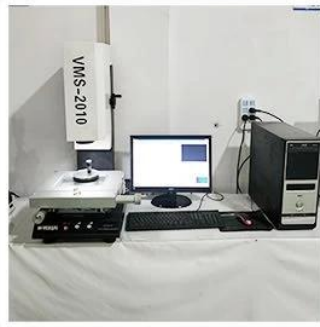
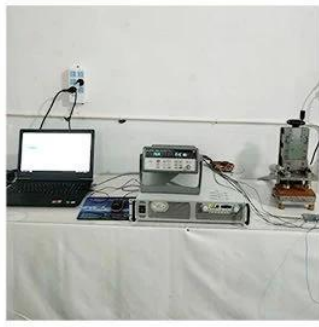
1. we have 30 years experience in probe pin and have ourself factory.
2. we provide free sample and have a testing department.
3. we could manufacture products as your request.
4. we guarantee best price and good service.

## **Our factory**



## **Our equipment**

## Measuring Equipment >



### Measuring Equipment:

1. Agilent current testing;
2. Quadratic element measurement
3. Load Curve Meter
4. Bond Test
5. Life Fatigue Test

## Our package

