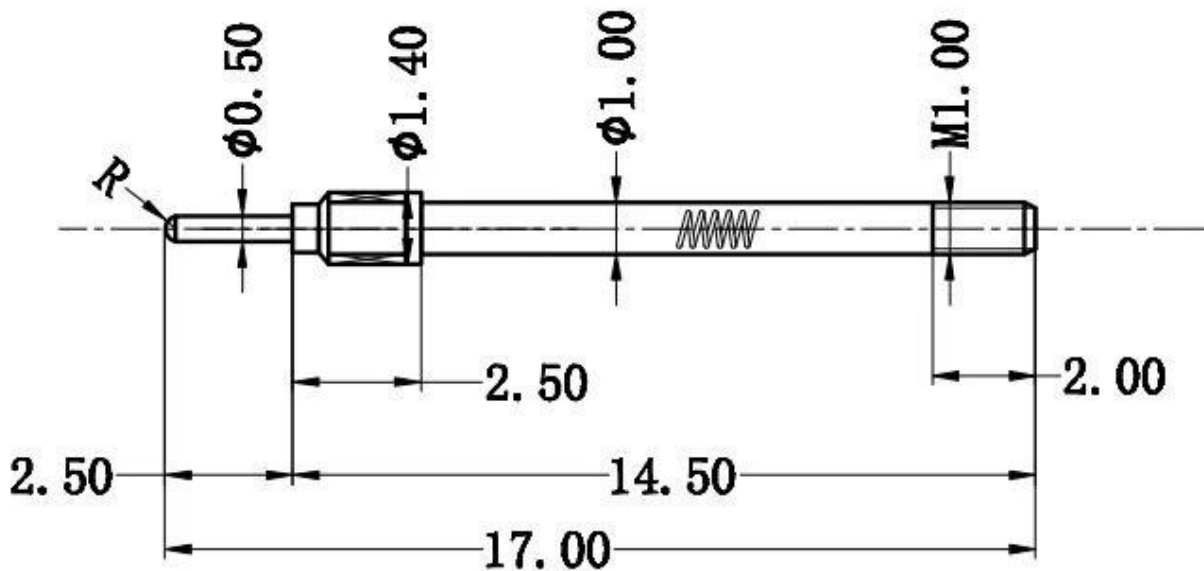


Product description

L101-J0.5*2.5



Company introduction

Suzhou Shengyifurui Electronic Technology Co.,Ltd is the leading probe pin supplier in China. We set up a large production plant in Cixi City, Zhejiang Province in 1984. The monthly production amount reaches 300,000 units and all orders can be finished within 15 working days. The factory has set up ISO 90001 quality management system.

Company established domestic and international sales department in Suzhou in 2010. It is dedicated to provide professional products and convenient services to the clients all over the world. The products lines include spring pin, pogo pin, switch pin, current pins and accessories. They are widely used in PCB, IC T, SMT, IC industries. The quality has reached international advanced level and won the high praise in the probe industry.



Our main products

1. PCB,ICT,FCT testing pins
2. pogo pin connectors
3. Lithium battery's charge and discharge
4. customized pins

Production Flow



1. raw material warehouse



2. Lathe workshop



3. Assemble workshop



4. Quality inspection



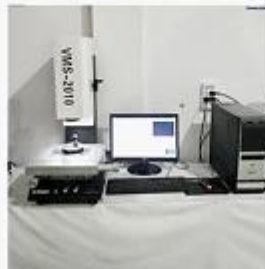
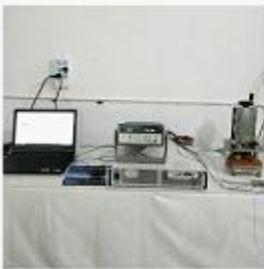
5. Finished products



6. Packing

Measuring Equipment

Measuring Equipment >



Measuring Equipment:

1. Agilent current testing;
2. Quadratic element measurement
3. Load Curve Meter
4. Bond Test
5. Life Fatigue Test