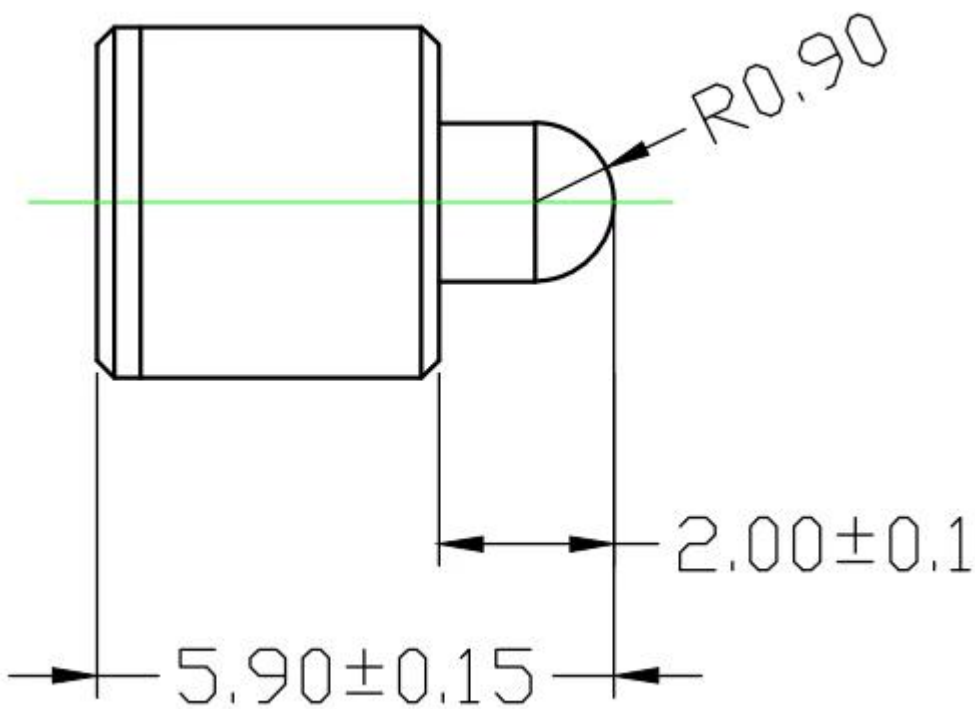


Product Specification

M
o
d
e
l
P
i
n
S
F
-
4
.5
*
5
.9
-
J
1
.8
B
U
S
B
A
G
e
r
B
U
S
B
A
I
S
B
W
P
H
g



Pogo PIN is a spring-like probe formed by the three basic parts of needle shaft, spring and needle tube after riveting and prepressing with precision instruments. The surface coating of POGO Pin is generally gold-plated, which can better improve its anti-corrosion function, mechanical properties, electrical properties, etc. The tip has a sharp needle, grasp needle, round head needle, knife needle and so on. Pogo Pins are commonly used for precision connections in mobile phones, telecommunications, automotive, medical, aerospace and other electronic products to improve the corrosion resistance, stability, and durability of these connectors.

Production Flow



1. raw material warehouse



2. Lathe workshop



3. Assemble workshop



4. Quality inspection



5. Finished products



6. Packing

Company Profile



Suzhou Shengyifurui Electronic Technology Co.,Ltd is the leading test probe manufacturer in China. In 1984 we set up the first factory in Cixi City, Zhejiang Province. With high quality and sweet service, our products are widely used in more than 50 countries in the world. We are dedicate to being the most reliable test probe supplier in China Market.We are committed to provide the most professional products and services to the customers in the world. Products include in-circuit spring test probe, semiconductor spring test probe, battery charging pogo pin and the related accessories.

FAQ

FAQ

1. What is terms of SFENG payment?

Usually, we require 100% payment before delivery. You can choose Wire transfer and Pay Pal. The currency we accept are USD dollar, Japanese Yuan and RMB. Payment term is negotiable for special order.

2. What is the lead time of orders?

SFENG can send standard probes products out within 3 days. For customized products, the lead time is 15-20 days depending on order quantity.

3. How does SFENG control product quality?

SFENG have skilled QC team and professional testing equipment. From raw material to finished products, we have complete checking process. Only approved products are allowed to deliver to customer.

4. Can customized products be accepted?

Yes, one biggest advantage of SFENG is product customization. Just telling us the parameter and function you need, our professional engineer will design product specially for you.

5. How does SFENG hand in case of a compliant?

Compliant seldom happen. Usually, we will find root case and take corrective measure within one week since receiving defective samples.

