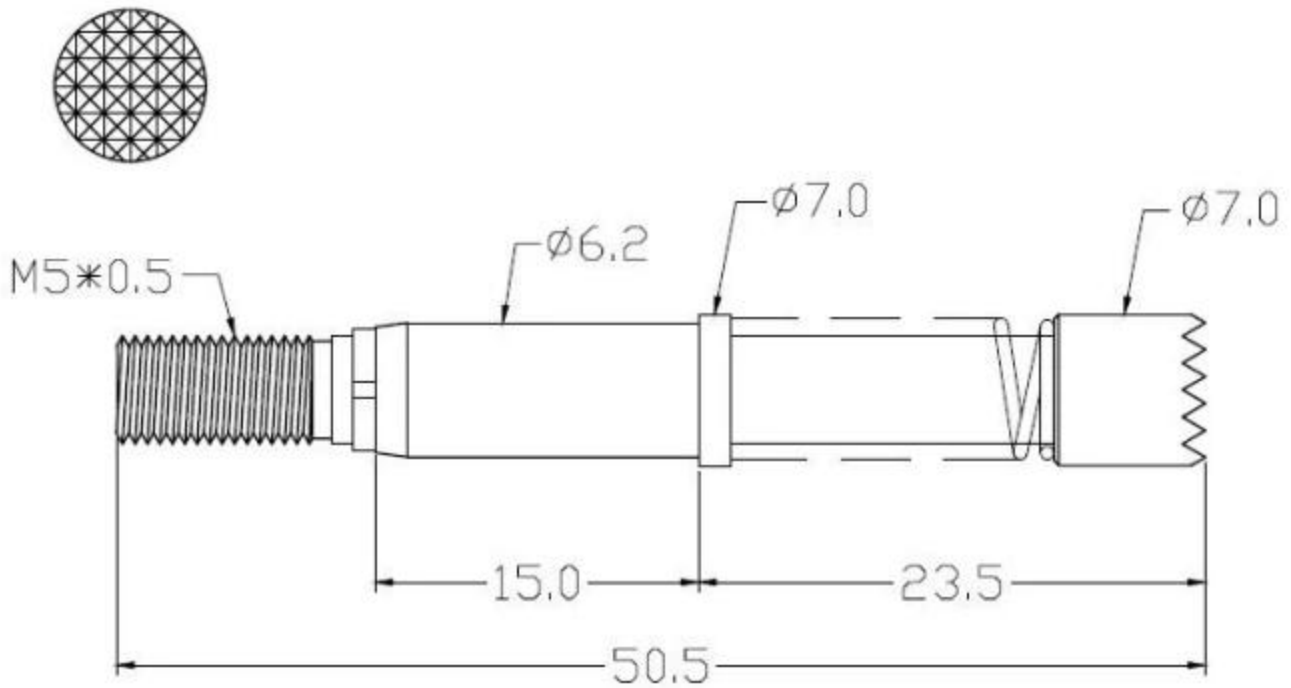


Product Specification

Model	SF-7.0*50.5
Material	Copper Alloy
Current Rating	30A
Contact resistance (initial)	5.0mΩ
Full compression travel	≥6.0mm
Recommended work travel	1.5kg±20%□4.0mm□

Product Drawing



Our Service

1. We can reply your inquiry within 24 working hours.

2. Customized design is available and OEM are welcomed.
3. We can deliver the probe pins to our clients all over the world with speed and precision.
4. We can provide the lowest price with high quality product to our client .

Main Products

Spring loaded pin (single) for PCB, ICT, FCT testing etc;

Pogo pin (connector) to establish connection between two printed circuit boards for charging, locating, Battery, Semiconductor & Interconnect applications;

Double ended probe for BGA and Semiconductor testing;

Universal pin without spring, coating pin, LM pin with QZ and VZ series;

High current probe, Switch probe, Capacitance needle;

Terminal & receptacle /socket;

Other related electronic components, 30# OK wire, Jig locks, POM, Iron hinge etc

production flow



1. Raw material warehouse



2. Lathe workshop



3. Assemble workshop



4. Quality inspection



5. Finished products



6. Packing

Packing Picture



shipping information

Standard products will be delivered out within 3 days. Customized products will be sent out within 15 days.



Factory Image

