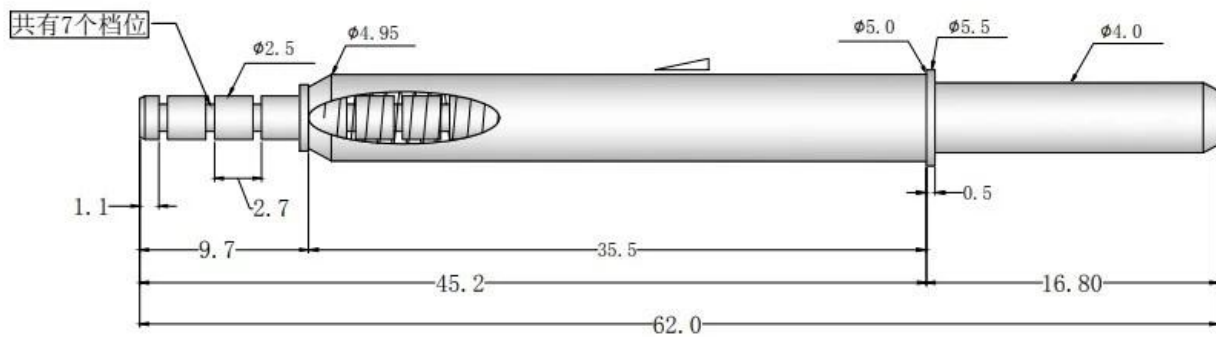


## Production specifications

Item number	SF2712
Size	dia5.0*L62.0mm
Material	Plunger:Fe Barrel:Brass Spring:Spring Wire
Full stroke	16.3mm
Spring force	170gf@ 1oad 16.3mm
MOQ	300PCS
Payment	T/T
Delivery time	5-15days after receiving the payment

## Product Pictures



## Production Flow



1. raw material warehouse



2. Lathe workshop



3. Assemble workshop



4. Quality inspection



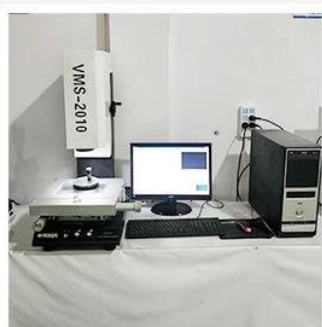
5. Finished products



6. Packing

## Testing Equipment

### Measuring Equipment >



#### Measuring Equipment:

1. Agilent current testing;
2. Quadratic element measurement
3. Load Curve Meter
4. Bond Test
5. Life Fatigue Test

## *Packing*



## *Main products*

- 1.Spring loaded pin(single)for PCB,ICT,FCTtesting etc;
- 2.Pogo pin(connector)to establish connection between two printed circuit boards for charging,locating,battery,semiconductor&interconnector applications;
- 3.Double ended probes for BGA and semiconductor testing;
- 4.Universal pin without spring,coating pin,LM pin with QZ and VZ series;
- 5.High current probe,switch probe,capacitance needle;
- 6.Terminal&receptacle/socket;
- 7.Other related electronic components,Jig locks,POM and etc.

**Whatever you want,please contact us without hesitation ,and we will try our best to meet your requirement within our capability.**

## *Our service*

- 1.We can reply your inquiry within 24 working hours;
- 2.Customized design is availble and OEM are welcomed;
- 3.We can deliver the probe pins to our clients all over the world with speed and precision.
- 4.We can provide the lowest price with high quality products to our clients.

