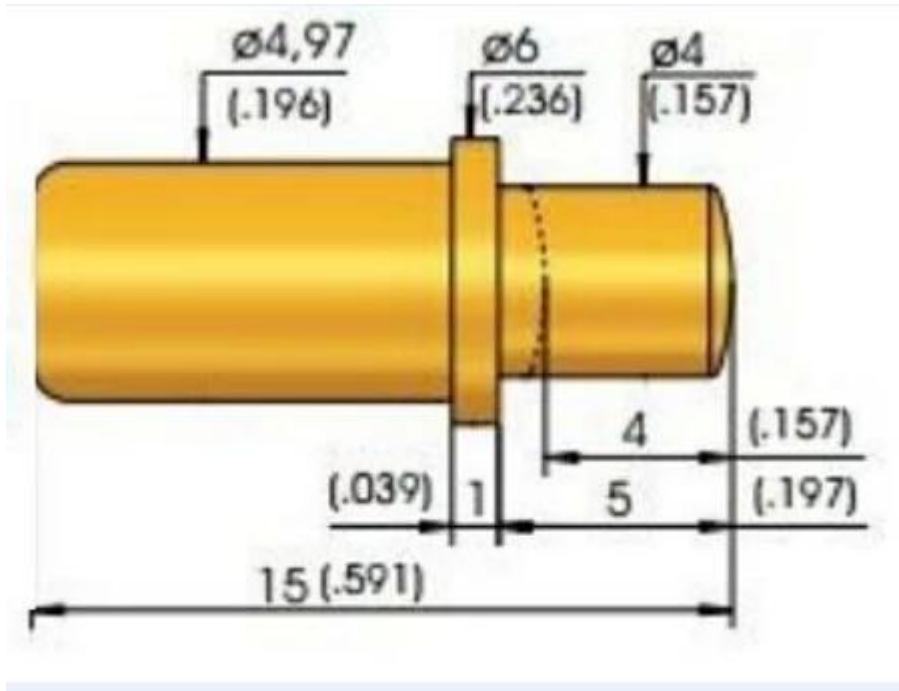


Product Specification

| | |
|-------------|--|
| Brand | SFENG |
| Item number | SFM365 105 400 A8001 |
| Plunger | Brass or Becu,gold or Ni plated |
| Barrel | Brass,gold or Ni plated |
| Spring | SK4,music wire |
| MOQ | 100pcs |
| Lead time | 7 working days after receiving the payment |

Product Picture





Our Service

1. Reply your inquiry within 24 working hours
2. Customized design is available, OEM are welcomed
3. Delivery the probe pins to our clients all over the world with speed and precision
4. Provide the lowest price with high quality to our client

Main Products

- Spring loaded pin (single) for PCB, ICT, FCT testing, etc;
- Pogo pin (connector) to establish a (usually temporary) connection between two printed circuit boards for charging, locating, Battery, Semiconductor & interconnect Applications;
- Double ended probe for BGA & semiconductor testing;
- Universal pin without spring, coating pin, LM pin with QZ & VZ series;
- High current probe, Switch probe, Capacitance needle...
- Terminal & receptacle/socket;
- Other related electronic components, 30# OK wire, Jig locks, POM, Iron hinge, etc

Quality Control

| | | |
|--|--|---|
| Spring exhausted tester | DC power supply | Current resistance tester |
|  |  |  |
| Microscope | Tensile strength tester | Spring tester |
|  |  |  |

Packing Picture

