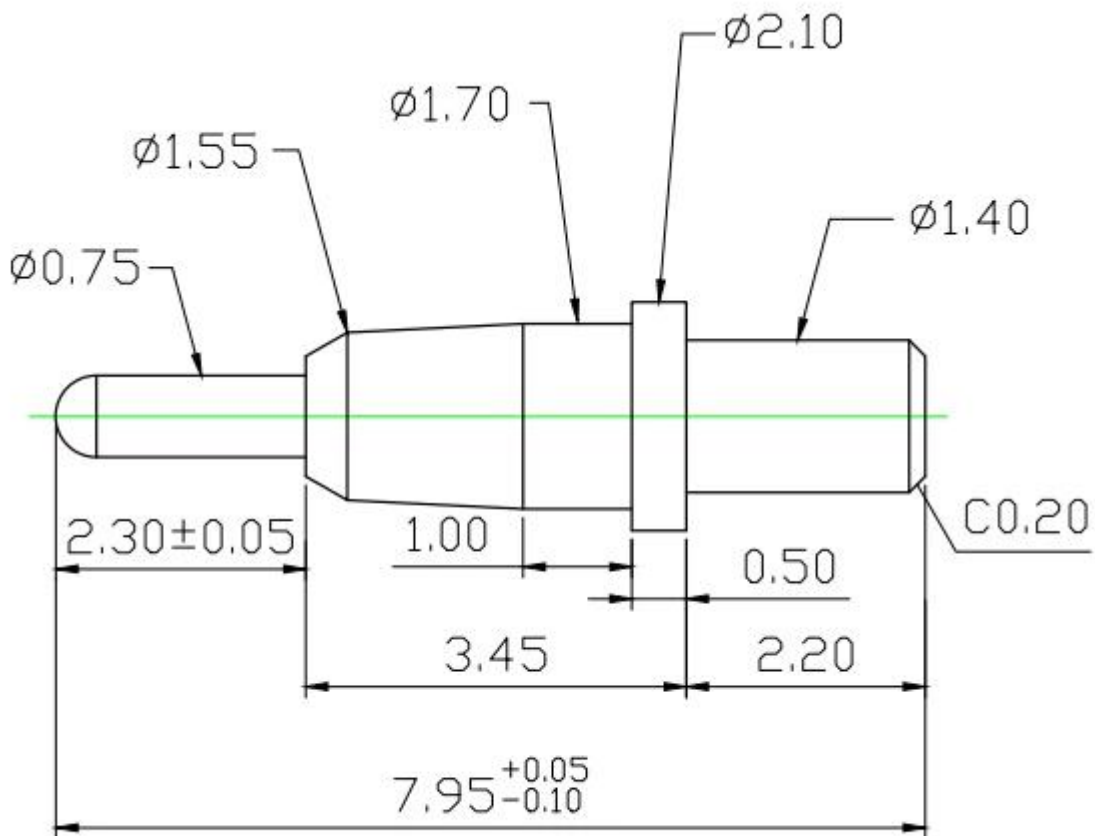


## Product Specification

Item Code	SF-PPA1.7*7.95
Material	Barrel:Brass, Au on Ni plated Plunger:Brass, Au on Ni plated Spring: SWP
Current Rating	3A
Full Stroke	2.0mm

## Product Drawing



## Our Service

1. We can reply your inquiry within 24 working hours.
2. Customized design is available and OEM are welcomed.
3. We can deliver the probe pins to our clients all over the world with speed and precision.
4. We can provide the lowest price with high quality product to our client .

## Main Products

Spring loaded pin (single) for PCB, ICT, FCT testing etc;

Pogo pin (connector) to establish connection between two printed circuit boards for charging, locating, Battery, Semiconductor & Interconnect applications;

Double ended probe for BGA and Semiconductor testing;



Universal pin without spring, coating pin, LM pin with QZ and VZ series;

High current probe, Switch probe, Capacitance needle;

Terminal & receptacle /socket;

Other related electronic components, 30# OK wire, Jig locks, POM, Iron hinge etc

## Quality Control

Spring exhausted tester	DC power supply	Current resistance tester
		
Microscope	Tensile strength tester	Spring tester
		

# Certification

DAS CERTIFICATION



## Quality Management System Certificate of Approval

This is to certify that the QMS of

**Suzhou Shengyifurui Electronic Technology Co.,Ltd**

Unified Social Credit Code:91320506MA1NRNLF6N

Registration Address:Room 5277 Tianlong Building, No.378 Zhujiang Nan Road, Mudu Town,  
Wuzhong District, Suzhou City

Business Address:Room 103 Units 2 Building 4, Xiangtihuayuan, No.567 Binhe Road, SND, Suzhou City

Has been assessed and found to meet the requirements of

**GB/T 19001-2016/ISO 9001:2015**

This certificate is valid for the following scope of operations:

Sales of test probes and related accessories

Date of Certificate Issue: Dec, 06, 2018

Certificate Valid Until: Dec, 05, 2021

Certificate Number: **QM291812020**

The validity of the registration will be continued only when the organisation pass the annual surveillance audit.  
Check the validity of certificate at [www.cnca.gov.cn](http://www.cnca.gov.cn) or [www.das-china.com](http://www.das-china.com)

Surveillance Audits:



Authorized by:

Chief Executive



Shanghai DAS Certification Co., Ltd., member of SN Registrars(Holdings) Ltd.

Add:505, Tower, 2, Guoson Center, No. 388, Zhongjiang Road, Shanghai, P.R.China, 200062  
Tel: 0086-21-62773910 Fax:0086-21-62080319  
Web:<http://www.das-china.com>  
Email: [info@das-china.com](mailto:info@das-china.com)  
UK Head Office: DAS Certification Limited (On Behalf of SN Registrars (Holdings) Limited)  
ADD: Registration House, 22b Church Street, Rushden, Northamptonshire, NN10 9YT, UK  
Tel: +44(0)1933 381859  
Email: [info@dascertification.co.uk](mailto:info@dascertification.co.uk)  
Web: [www.dascertification.co.uk](http://www.dascertification.co.uk)  
Company Number: 07659067



# Packing Picture

