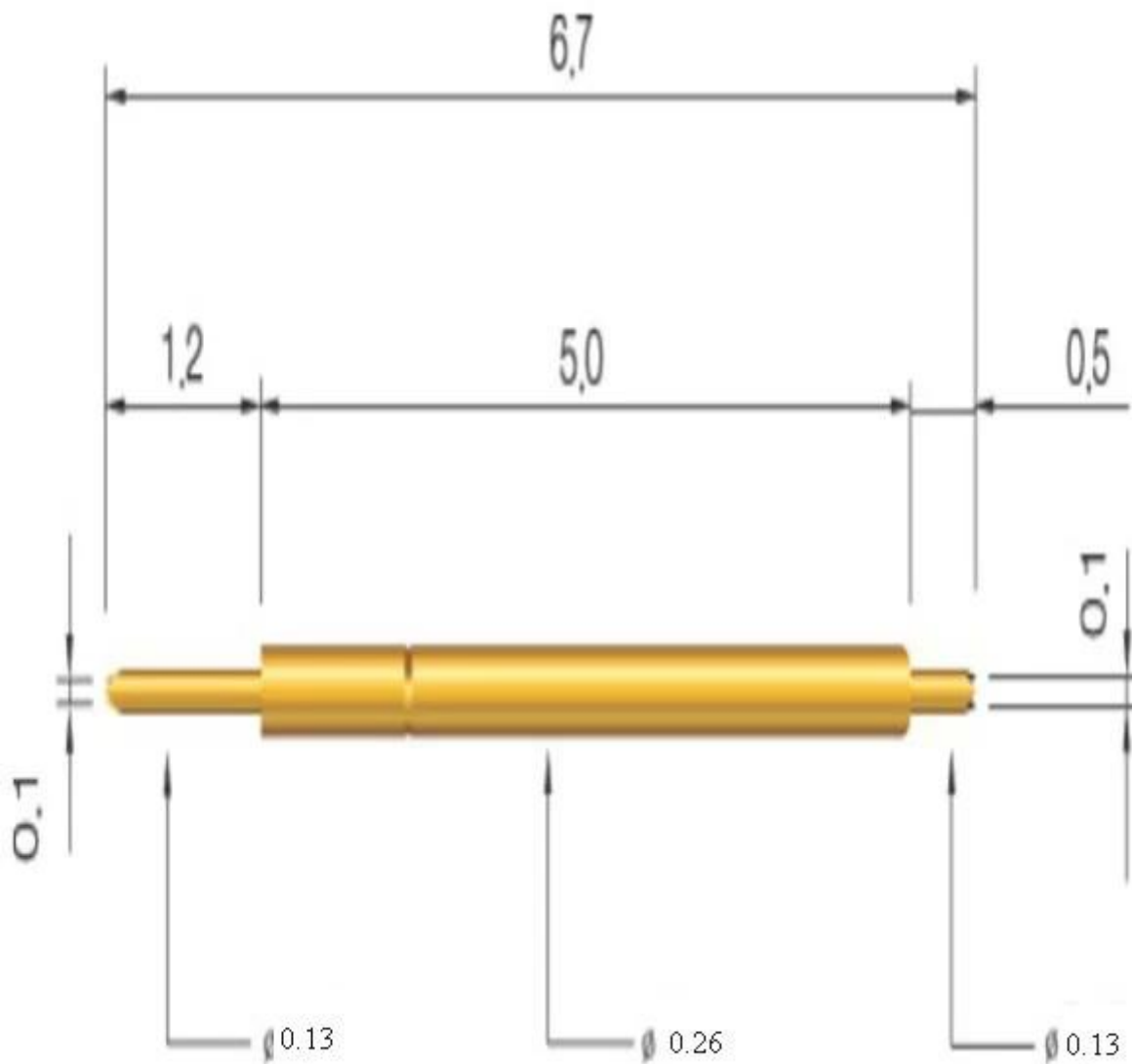


Product Specification

Brand	SFENG
Item number	670-026
Plunger	Brass or Becu,gold or Ni plated
Barrel	Brass,gold or Ni plated
Spring	SK4,music wire
MOQ	100pcs
Lead time	7 working days after receiving the payment

Product Picture



Our Service

- 1.Reply your inquiry withn 24 working hours
- 2.Customized design is available,OEM are welcomed

3. Delivery the probe pins to our clients all over the world with speed and precision

4. provide the lowest price with high quality to our client

Main Products

--Spring loaded pin(single) for PCB,ICT,FCT testing,etc;

--Pogo pin(connector) to establish a(usuallytemporary)connection between two printed circuit boards for charging, locating, Battery, Semiconductor & interconnectApplications;

--Double ended probe for BGA&semiconduction testing;

--Universal pin without spring,coatingpin,LM pin withQZ&VZseries;

--High current probe,Switch probe,Capacitance needle...

--Terminal&receptacle/socket;

--Other related electronic components,30#OKwire,Jig locks,POM,Ironhinge,etc

Quality Control

Spring exhausted tester	DC power supply	Current resistance tester
		
Microscope	Tensile strength tester	Spring tester
		

Packing Picture

