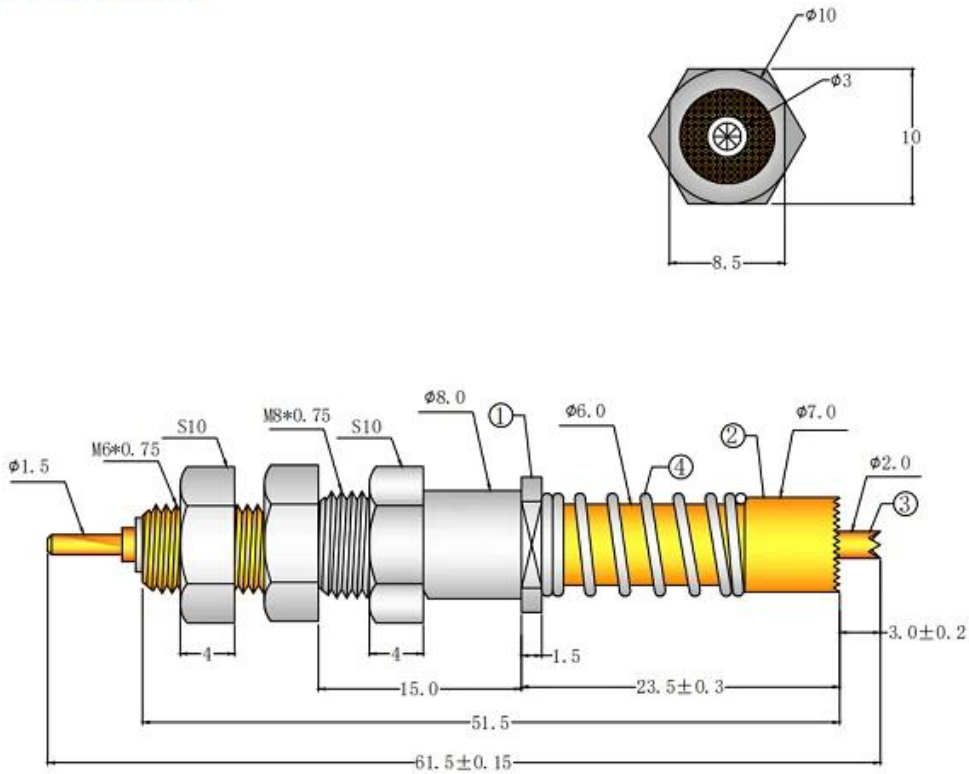


About Us

SFENG was founded in 1984 and headquartered in Ningbo. It is a professional enterprise integrating research, development, production, and sales. ([coaxial probe feeding technique china factory](#)) Products include in-circuit spring test probe, semiconductor spring test probe, battery charging pogo pin and the related accessories. Products are widely used in technology, automobiles, energy, telecommunications, medical, and other peripheral electronic products.

Product Specification:

A coaxial probe is used in microwave engineering and RF testing to measure the electrical properties of materials, such as dielectric constant, loss tangent, and conductivity. It is also used to characterize the performance of microwave components, such as filters, amplifiers, and antennas. The probe consists of a coaxial cable with a small, exposed conductor at the end that is inserted into the material being tested. The electrical properties of the material are determined by measuring the reflection and transmission of microwave signals through the probe.



Product Description:

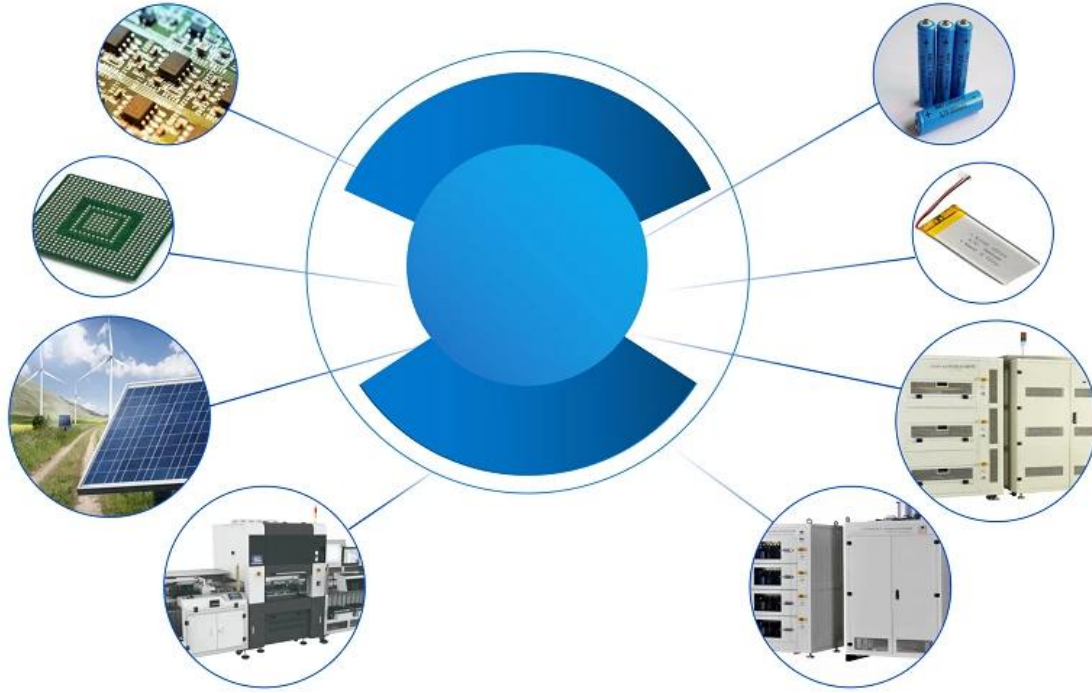
Product Name	Coaxial probe
Item No.	SF-PV1-H-H M8*26.5
Material	Brass
Plating	Gold plated
Full Storke	8.0mm
Spring force	2000±20% gf @ load 5.0mm
Leadtime	7-15 days

Product Show



Application

POGO PIN is often used in mobile communication terminals, cell phones, ([Battery Contacts & Springs Manufacturer china](#)) smart watches, Bluetooth wireless headsets, cutomotive, medical, asospace and other electronic products for precision connections.



Package:



FAQ:

Q1.Are you a manufacturer?

A1: Yes, we are an experienced manufacturer with our own molds and production lines.

Q2.How about quality of products?

A2: Our technicians and QC teams test the products one by one using aging line, professional devices and instruments to ensure the quality for all products.

Q3.How about price?

A3: We are a manufacturer and always offer our customers the most competitive prices.

Q4.How to place an order?

A4: Contact with online service, or sent email to us directly, we will reply to you with product price,

specifications, packing etc. soon. Thank you.

Q5. May I buy samples from you?

A5: Yes! You are welcome to place sample order to test our superior quality and service, mixed samples are acceptable.

Q6. Can I visit your factory?

A6: Yes, welcome to visit our factory at your convenient time.

Q7. How can I make OEM or ODM orders?

A7: We have different print processing for different OEM/ODM orders. Please contact us with online service or send email to us directly.

Q8. How should I pay for my orders?

A8: You can pay by T/T, L/C at sight would be available for qualified bank and MOQ required for each order.

Logistics:

Sample order ship by DHL, UPS, FedEx, TNT, EMS etc

For mass order delivery, can be optional with terms of Exwork, FOB, CNF, CIF by air or by sea based on the buyer's forwarder or ours



Certifications



2023 ISO Certificate



Patent for Coaxial Structure



Patent for Honeycomb current probe

Factory Show:







Exhibition & Fair



CIBF2021

苏州胜亿福睿电子科技有限公司
Suzhou Shengyifurui Electronic Technology Co., Ltd

No.3B013

