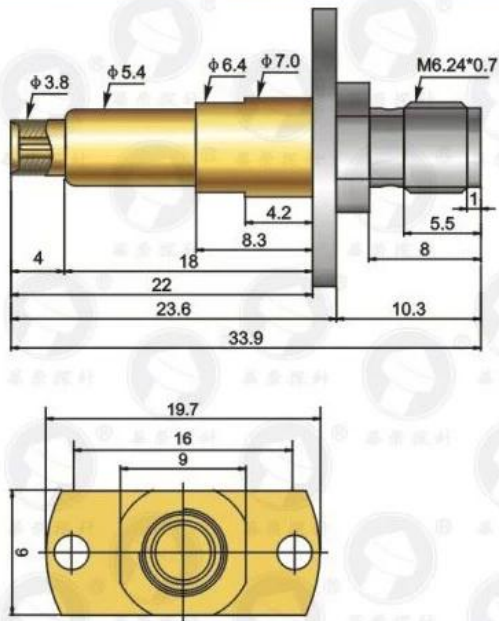


## Product pictures

### 高频针SF-540 系列



#### 材料

针杆	黄铜镀金
针管	黄铜镀金
大弹簧	琴线镀金
绝缘体	铁氟龙
底座	黄铜镀镍

#### 内芯针

针杆	镀铜镀金
针管	磷铜管镀金
小弹簧	琴线镀金

#### 机械电器性能

行程	3.8mm
弹力	300g
最大电流	3安培
电阻	50毫欧姆
频宽	2.4GHZ

## Our services

1. we will respond to you within 24 working hours.
2. custom designs are available and OEM are welcome.
3. we can deliver speed and precision will probe with customers around the world.
4. we can offer the lowest price and high quality products for our customers.

## Main products

Spring loaded pin (single) PCB, information and communications technology, FCT test;  
Pogo pin (connectors), two for the charge, positioning, batteries, semiconductors, interconnect applications; Establish a connection between the printed circuit board  
Pair of single-ended probes BGA and semiconductor testing;  
GM pins no spring, paint, LM pin QZ and VZ series;  
Needle probes high current probe, switch, capacitor;  
Terminal and socket/socket;  
Other related electronic components, 30 # OK line, jigging machine locks, Pom, iron hinge

## Quality control

Spring exhausted tester



DC power supply



Current resistance tester



Microscope



Tensile strength tester



Spring tester

