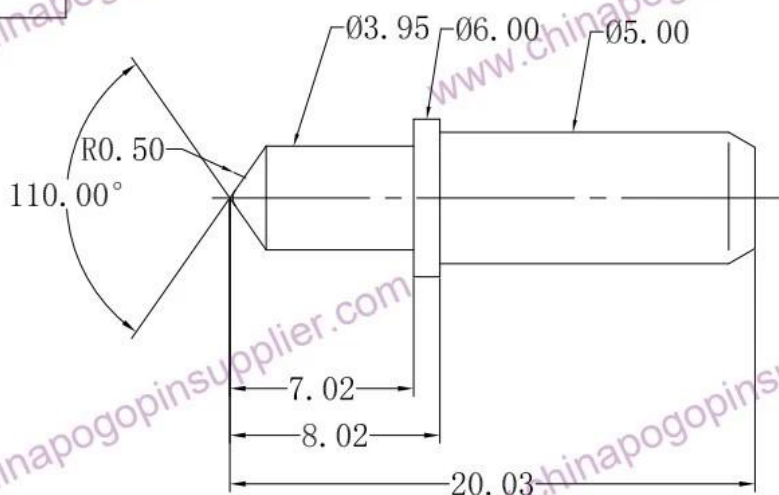


Production specifications

Item number	SF0894
Size	dia6.0*20.03mm
Material	Plunger:BeCu,Au on Ni plated Barrel:Brass,Au on Ni plated Spring:SWP
Full stroke	6.0mm
Rated Stroke	4.8mm
Spring force	1000±20%gf@load 4.8mm
MOQ	100PCS
Payment	T/T
Delivery time	5-15days after receiving the payment

Product Pictures

合廠留



Materials (Plated) (材質與鍍層):
 Barrel (針套) : Brass (黃銅)
 Plunger (針軸) : BeCu (鍍銅)
 Spring (彈簧) : SWP (琴鋼線)

, Au on Ni Plated 2-3u"
 , Au on Ni Plated 2-3u"
 , /

Specifications (技術要求):
 Full Stroke (滿沖程)
 Rated Stroke (額定沖程)
 Spring Force (額定彈力)

: 6.0mm
 : 4.8mm
 : 1000g ± 20% @ load 4.8mm

				GKS-373			
标记	处数	更改文件号	签字	日期	图样	标记	质量
设计			标准化		S	A	比例
校对			审定				10:1
审核			制图		共	1	页
工艺			日期	2015.11.20	第	1	页

胜峰探针

说明: 1、所有尺寸的单位为mm
 2、未注图示尺寸公差:
 0.5 < X ≤ 6 ± 0.05
 6 < X ≤ 10 ± 0.10
 10 < X ≤ 50 ± 0.2
 50 < X ≤ 100 ± 0.3

Production Flow



1. raw material warehouse



2. Lathe workshop



3. Assemble workshop



4. Quality inspection



5. Finished products



6. Packing

Testing Equipment

Measuring Equipment >



Measuring Equipment:

1. Agilent current testing;
2. Quadratic element measurement
3. Load Curve Meter
4. Bond Test
5. Life Fatigue Test

Packing



Main products

- 1.Spring loaded pin(single)for PCB,ICT,FCTtesting etc;
- 2.Pogo pin(connector)to establish connection between two printed circuit boards for charging,locating,battery,semiconductor&interconnector applications;
- 3.Double ended probes for BGA and semiconductor testing;
- 4.Universal pin without spring,coating pin,LM pin with QZ and VZ series;
- 5.High current probe,switch probe,capacitance needle;
- 6.Terminal&receptacle/socket;
- 7.Other related electronic components,Jig locks,POM and etc.

Whatever you want,please contact us without hesitation ,and we will try our best to meet your requirement within our capability.

Our service

- 1.We can reply your inquiry within 24 working hours;
- 2.Customized design is availble and OEM are welcomed;
- 3.We can deliver the probe pins to our clients all over the world with speed and precision.
- 4.We can provide the lowest price with high quality products to our clients.

