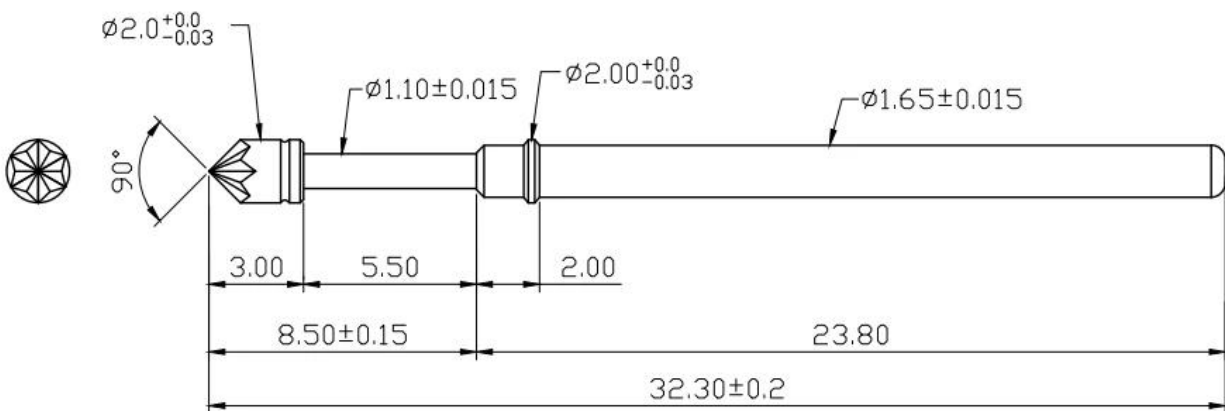


- **Hot selling standard size gold plating test pin SF-PA1.65x32.3-LM2.0**

ICT probe pin are short for in-circuit testprobe pins,also called single ended probe pin.The probe pin is consisted of aspring,a barrel and a plunger.The probe pin is plated with gold over nickel.

ICT probe pins are mainly used for testing the electrical performance of in-circuit components on PCB and the connection between circuit networks. It could measure components such as resistors, capacitors,crystal oscillators, and perform functional tests of optocouplers, transformers, operational amplifiers,power supply modules and integrated circuits

Product Specification





Company introduction



Suzhou Shengyifurui Electronic Technology Co., Ltd is the leading probe pins supplier in China. We set up a large production plant in Cixi City, Zhejiang Province in 1984. The monthly production amount reaches 300,000 units and all orders can be finished within 15 working days. The factory has set up ISO 90001 quality management system.

Company established domestic and international sales department in Suzhou in 2010. It is dedicated to provide professional products and convenient services to the clients all over the world. The product lines include spring pin, pogo pin, switch pin, current pins and accessories. They are widely used in PCB, ICT, SMT, IC industries. The quality has reached international advanced level and won the high praise in the probe industry.

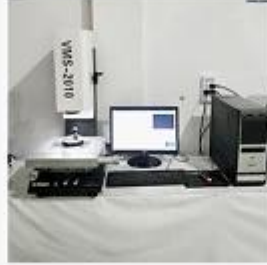


Our main products

1. PCB, ICT, FCT testing pins
2. pogo pin connectors

3. Lithium battery's charge and discharge
4. customized pins

Measuring Equipment >



Measuring Equipment:

1. Agilent current testing;
2. Quadratic element measurement
3. Load Curve Meter
4. Bond Test
5. Life Fatigue Test

Our Services & Strength

1. We can reply your inquiry within 24 working hours.
2. Customized design is available and OEM are welcomed.
3. We can deliver the probe pins to our clients all over the world with speed and precision.
4. We can provide the lowest price with high quality product to our client .