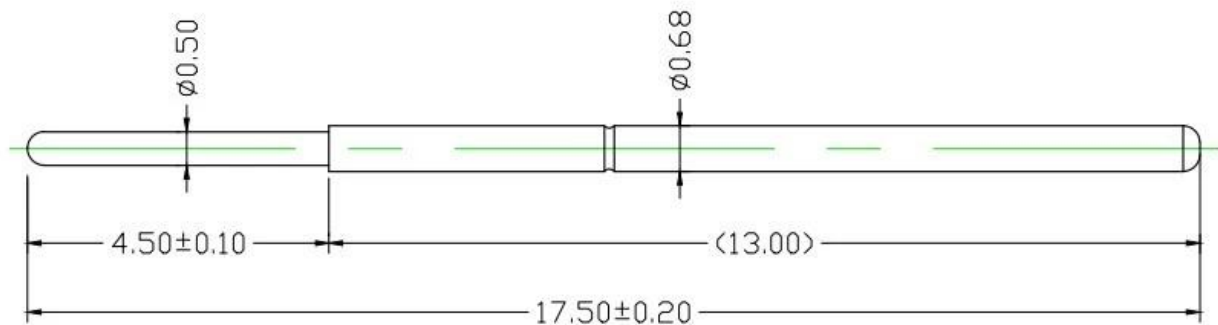


## *Production specifications*

Item number	SF-P11-J
Full travel	3.5mm
Rated stroke	3.0mm
Spring force	75±20%gf@load 3.0mm
MOQ	1000PCS
Payment term	100% T/T before shipment
Delivery time	5-10days after receiving the payment

## *Product Pictures*



## *Production Flow*



1. raw material warehouse



2. Lathe workshop



3. Assemble workshop



4. Quality inspection



5. Finished products



6. Packing

## Testing Equipment

### Measuring Equipment >



#### Measuring Equipment:

1. Agilent current testing;
2. Quadratic element measurement
3. Load Curve Meter
4. Bond Test
5. Life Fatigue Test

## *Packing*



Quality Certification



## Quality Management System Certificate of Approval

This is to certify that the QMS of

**Suzhou Shengyifurui Electronic Technology Co.,Ltd**

Unified Social Credit Code:91320506MA1NRNLF6N

Registration Address:Room 5277 Tianlong Building, No.378 Zhujiang Nan Road, Mudu Town,  
Wuzhong District, Suzhou City

Business Address:Room 103 Units 2 Building 4, Xiangtihuayuan, No.567 Binhe Road, SND, Suzhou City

Has been assessed and found to meet the requirements of

**GB/T 19001-2016/ISO 9001:2015**

This certificate is valid for the following scope of operations:

Sales of test probes and related accessories

Date of Certificate Issue: Dec, 06, 2018

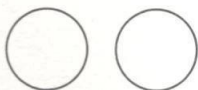
Certificate Valid Until: Dec, 05, 2021

Certificate Number: **QM291812020**

The validity of the registration will be continued only when the organisation pass the annual surveillance audit.

Check the validity of certificate at [www.cnca.gov.cn](http://www.cnca.gov.cn) or [www.das-china.com](http://www.das-china.com)

Surveillance Audits:



Authorized by:

Chief Executive



**Shanghai DAS Certification Co., Ltd. , member of SN Registrars(Holdings) Ltd.**

Add:505, Tower. 2, Guoson Center, No. 388, Zhongjiang Road, Shanghai, P.R.China, 200062

Tel: 0086-21-62773910 Fax:0086-21-62080319

Web:<http://www.das-china.com>

Email: [info@das-china.com](mailto:info@das-china.com)

UK Head Office: **DAS Certification Limited (On Behalf of SN Registrars (Holdings) Limited)**

ADD: Registration House, 22b Church Street, Rushden,

Northamptonshire, NN10 9YT, UK

Tel: +44(0)1933 381859

Email: [info@dascertification.co.uk](mailto:info@dascertification.co.uk)

Web: [www.dascertification.co.uk](http://www.dascertification.co.uk)

Company Number: 07659067



- 1.Spring loaded pin(single)for PCB,ICT,FCTtesting etc;
- 2.Pogo pin(connector)to establish connection between two printed circuit boards for charging,locating,battery,semiconductor&interconnector applications;
- 3.Double ended probes for BGA and semiconductor testing;
- 4.Universal pin without spring,coating pin,LM pin with QZ and VZ series;
- 5.High current probe,switch probe,capacitance needle;
- 6.Terminal&receptacle/socket;
- 7.Other related electronic components,Jig locks,POM and etc.

Whatever you want,please contact us without hesitation ,and we will try our best to meet your requirement within our capability.

## ***Our service***

- 1.We can reply your inquiry within 24 working hours;
- 2.Customized design is availble and OEM are welcomed;
- 3.We can deliver the probe pins to our clients all over the world with speed and precision.
- 4.We can provide the lowest price with high quality products to our clients.