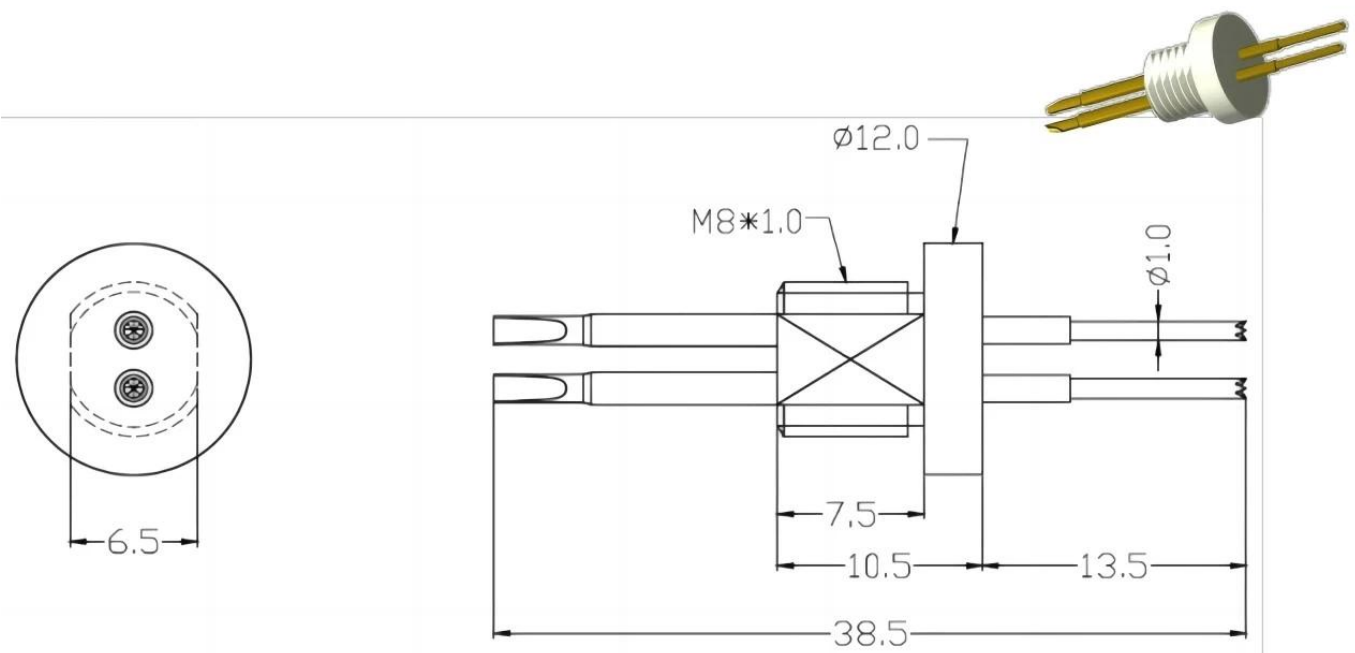


## About Us

SFENG was founded in 1984 and headquartered in Ningbo. It is a professional enterprise integrating research, development, production, and sales. ([big current probe on sales china](#)) Products include in-circuit spring test probe, semiconductor spring test probe, battery charging pogo pin and the related accessories. Products are widely used in technology, automobiles, energy, telecommunications, medical, and other peripheral electronic products.

## Product Parameters:

**SFENG** offers a variety of different high current battery testing probes. High current test probes are used in many industries and applications with high current, such as testing, functional testing, signal transmission, power supply, production and built-in contact elements.

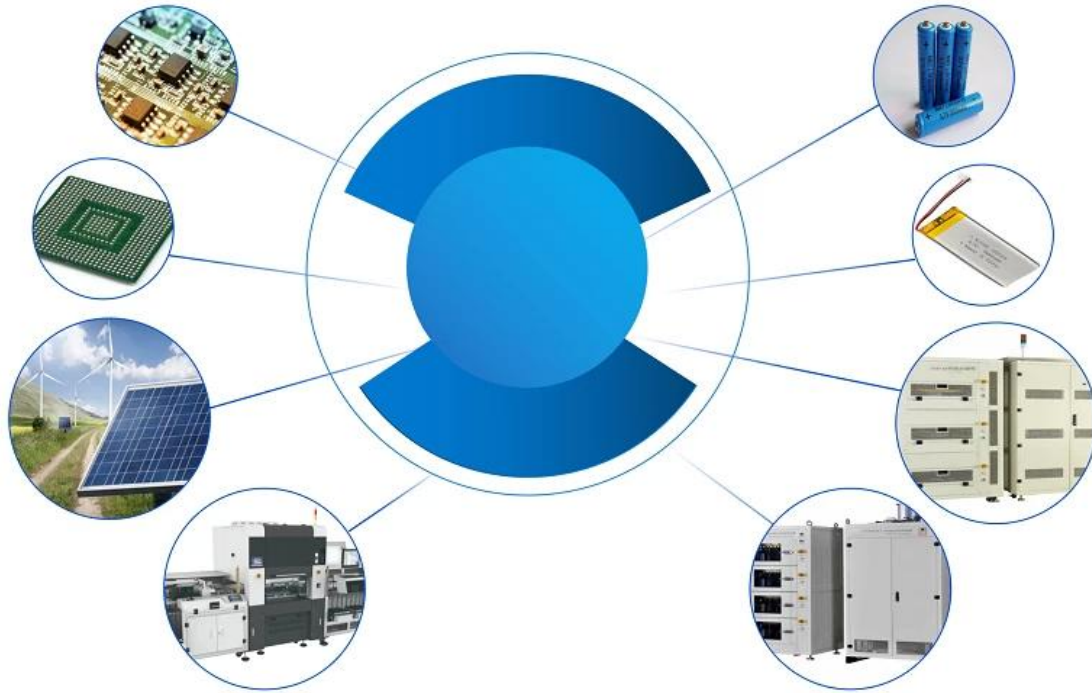


## Product Description:

Product Name	Two-probes Current Probe
Item No.	SF-1.0*2-3A(38.5)
Material	Copper Alloy
Plating	Partial gold-plated over nickle
Current	3A
Samples	Samples can be provided
Leadtime	7-10 days

**Applications:**

**Application**



**Package:**



## Logistics:

Sample order ship by DHL, UPS, FedEx, TNT, EMS etc

For mass order delivery, can be optional with terms of Exwork, FOB, CNF, CIF by air or by sea based on the buyer's forwarder or ours



**Factory Show:**









